

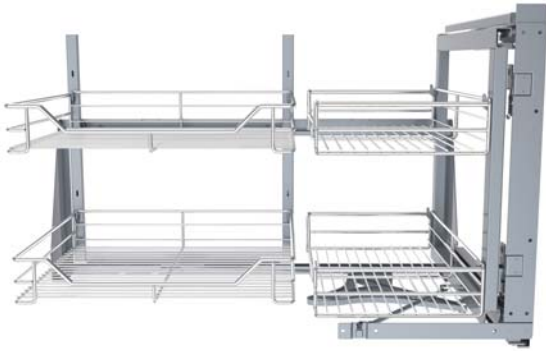
# Magic Coner I

## 【PRODUCT NAME】

Magic Corner I

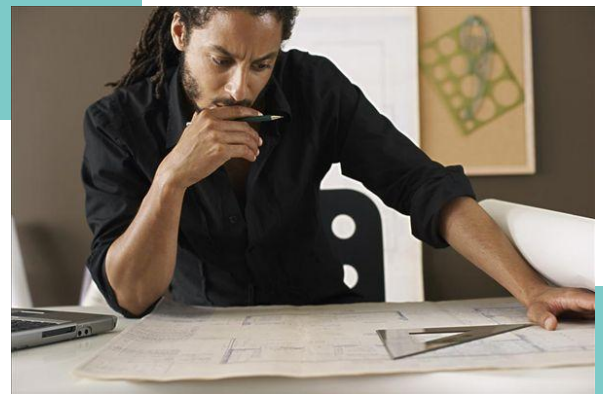
## 【PRODUCT DESCRIPTION】

The magic corner I can make full use of the space in the corner of the kitchen, allowing users to quickly obtain the required items from the blind corner, providing convenience for daily kitchen storage. The item is easy to assemble and can be used for left-handed or right-handed applications for installation. This half-open magic corner I fits at least 35.5 inches in the cabinet.



## DESIGN CONCEPT

The magic corner I can make full use of the space in the corner of the kitchen, allowing users to quickly obtain the required items from the blind corner, providing convenience for daily kitchen storage. The item is easy to assemble and can be used for left-handed or right-handed applications for installation. This half-open little monster fits at least 35.5 inches in the cabinet.

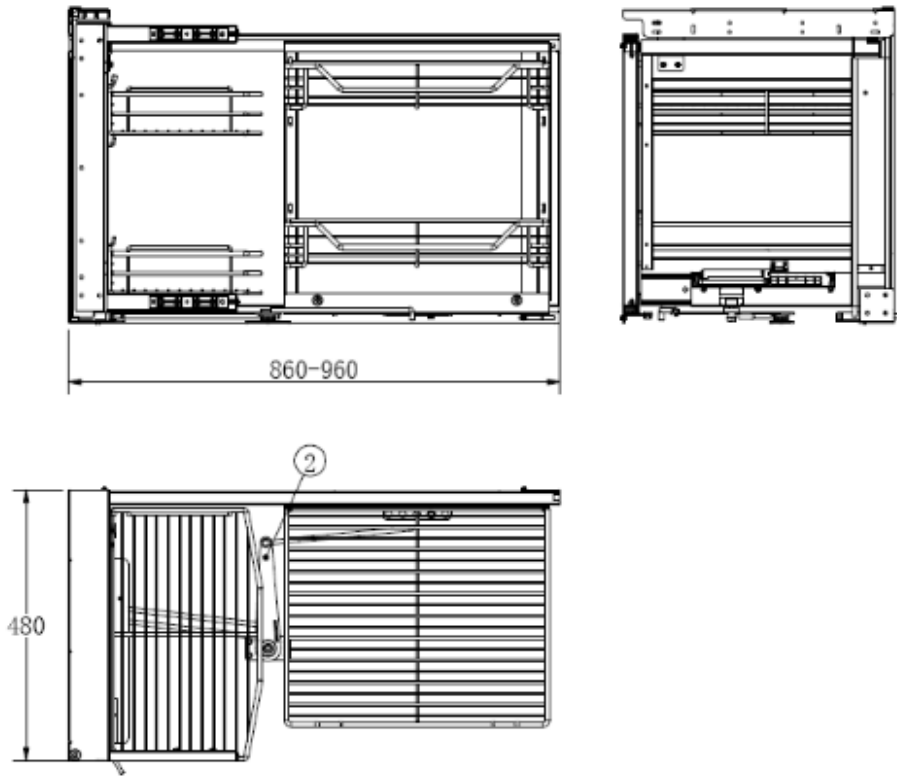


## PRODUCT FEATURES

- :: The chrome-plated iron material contributes to its beautiful and fashionable appearance, anti-corrosion and anti-rust.
- :: Designed with four independent baskets, this magic corner I kitchen cabinet organizer supports of storing various utensils, pans, pots, condiments, etc.
- :: Size: D480\*W(860-960)\*H560mm/D18.9"\*W33.9"-37.8"\*37.8"; suitable for minimum cabinet width is 900mm/35.5" with a minimum width inside cabinet opening of 360mm/14.2" inches;
- :: The slide rail is stable and easy to push and pull. In order to prevent the cabinet door from collision caused by excessive force, a damping cushioning system is specially designed.



# PRODUCT SPECIFICATION



SKU	Product Name	Product Size (mm)	Cabinet Width (mm)	Material/ Surface Treatment	Net Weight (kg)
22.19.90200100	Magic Corner I –L	D480*W(860-960)H560	900	Steel/Electroplating	19.8
22.19.90200200	Magic Corner I –R	D480*W(860-960)H560	900	Steel/Electroplating	19.8

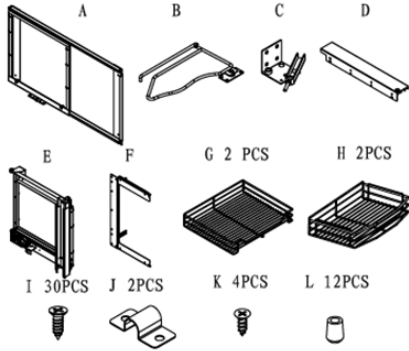
## NOTES FOR ORDERING

- :: This product is made of chrome-plated steel. Please specify if a stainless steel basket is preferred.
- :: This product fits 900 mm wide cabinets.
- :: Please specify Left or Right mounting.

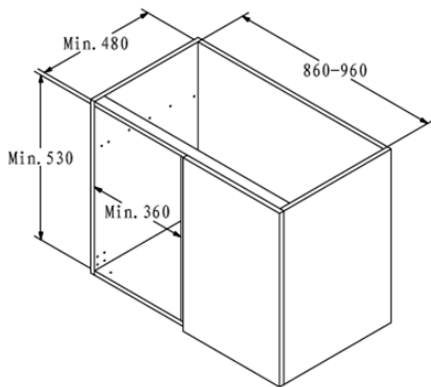


# INSTALLATION GUIDE

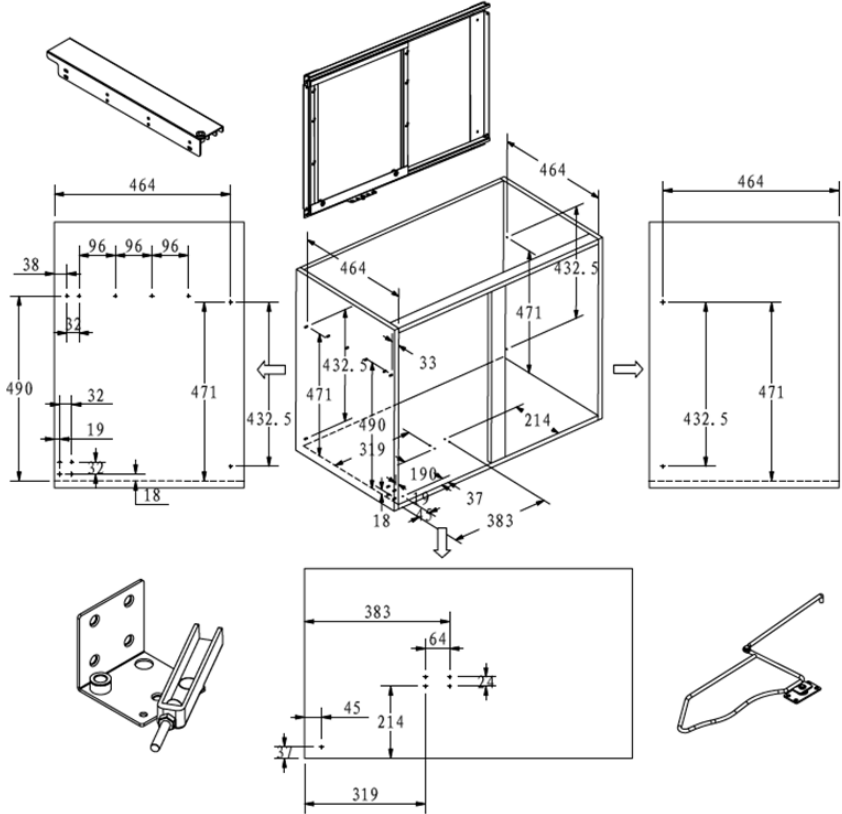
## 1. Accessories










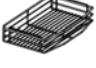




## 2. Minimum Cabinet Dimensions (Interior)



## 3. Installation Position



# PACKLING LIST

No.	Parts Name	Picture	Quantity
1	Real Wall Frame		1
2	Swing tie system		1
3	Support base		1
4	Guide plate		1
5	Rotating frame		1
6	Cabinet door connector		1
7	390 baskets		2
8	Beveled corners basket		2
9	Long screws		30
10	Fixings		2
11	Short screws		4
12	Fix limiters		12



# SHIPPING INFORMATION

SKU	Sets/ CTN	Net Weight/ CTN (kg)	Gross Weight/ CTN (kg)	Package Size (mm)	Sets/ 20 GP	Sets/ 40 GP	Sets/ 40 HQ
22.19.90200100	1	19.8	22.71	880*535*225	240	520	640
22.19.90200200	1	19.8	22.71	880*535*225	240	520	640

The above container load quantity is the reference value.