

Detachable 2 Tier Under Sink Pull Out Sliding Organizer



【PRODUCT NAME】

Detachable 2 Tier Under Sink Pull Out Sliding Organizer

【PRODUCT DESCRIPTION】

This detachable double tier pull out basket with slides at the bottom is useful for cleaner storage in cabinets.

DESIGN CONCEPT

Usually, it is hard to fully utilize the space under the sink in the kitchen and bathroom, because of the different directions of the upper and lower water pipes. It is difficult to put a partition in this space thus this double-layer pull-out organizer is the solution.

This pull-out organizer can be installed on the left or the right according to the direction of the water pipe. The double-layer design increases the available space. There are 3 sections of steel ball slides at the bottom, which make it easy to pull out the organizer.

The product can also prevent things from being soaked in the water due to the water leakage of the aging water pipe. It is a good storage option for cleaners and supplies in the kitchen and bathroom.

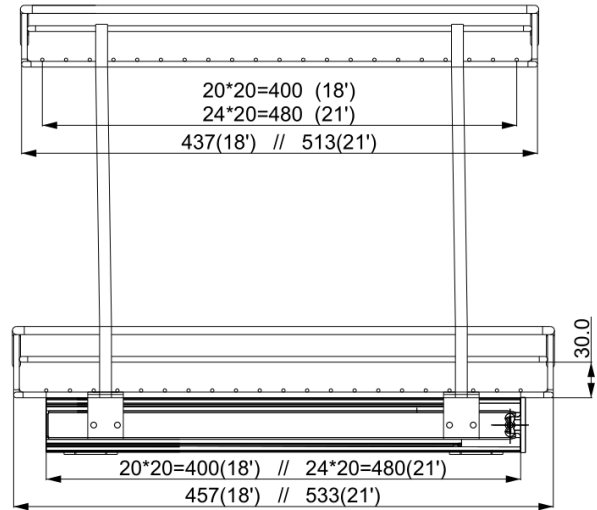
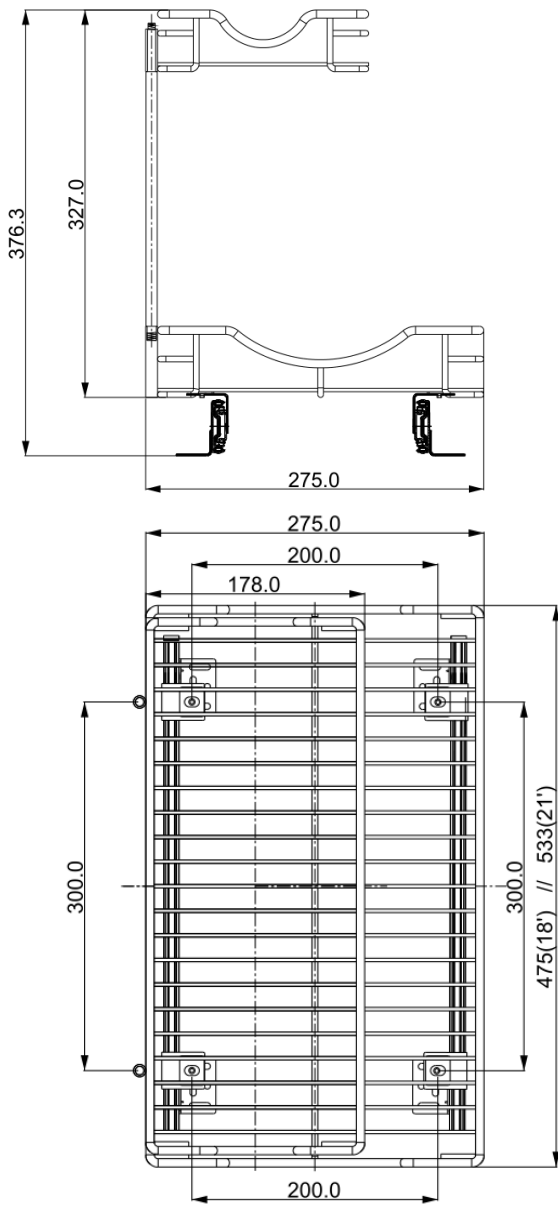


PRODUCT FEATURES

- :: Detachable double-layer pull-out design: it can be installed under the sinks in kitchens and bathrooms to store cleaners and sundries.
- :: Flexible installation position: you can install the organizer on the left or the right according to the direction of the upper and lower water pipes.
- :: Multi-layer plating: smooth and bright surface with strong anti-rust and anti-oxidation ability.
- :: Laser welding: exquisite craftsmanship, burr-free surface, smooth and solid welding joints, well-matched wires.
- :: Make full use of the space under the sink in the kitchen and bathroom cabinets.



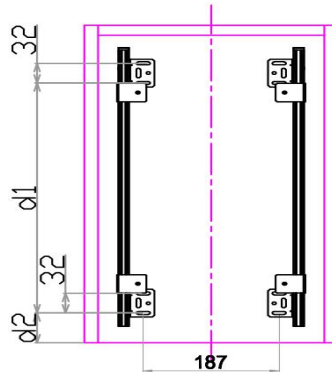
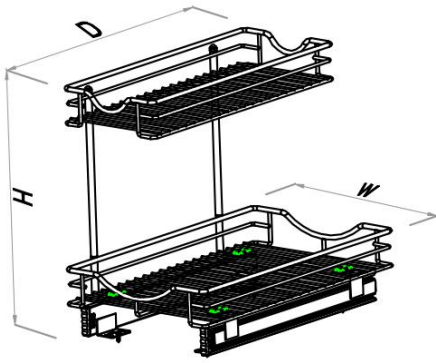
PRODUCT SPECIFICATIONS



SKU	Product Name	Upper Tier (mm)		Bottom Tier (mm)		Height (mm) (Slides Included)	Slides Length
		Width	Depth	Width	Depth		
22.18.91000100	18" Detachable 2 Tier Under Sink Pull Out Sliding Organizer	178	437	275	457	376.3	16"
22.18.91000200	21" Detachable 2 Tier Under Sink Pull Out Sliding Organizer	178	513	275	533	376.3	18"

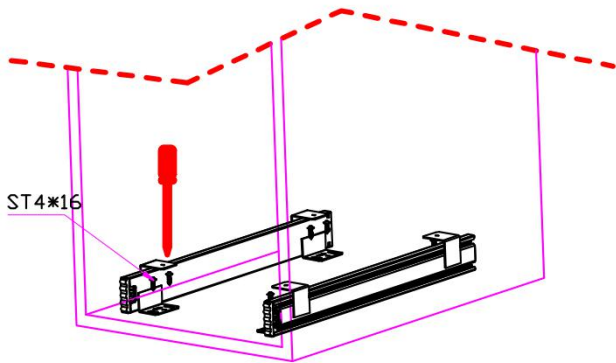
INSTALLATION GUIDES

Step 1: Drill 8 Ø2.5mm holes in the bottom of the Cabinet as shown.

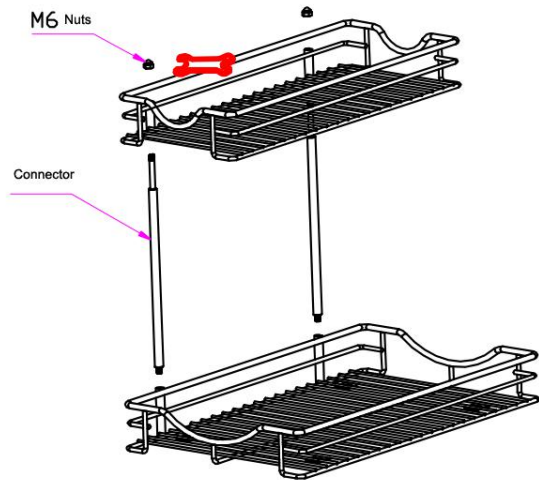


Depth of cabinet	d1	d2
18"	325	53
21"	375	66

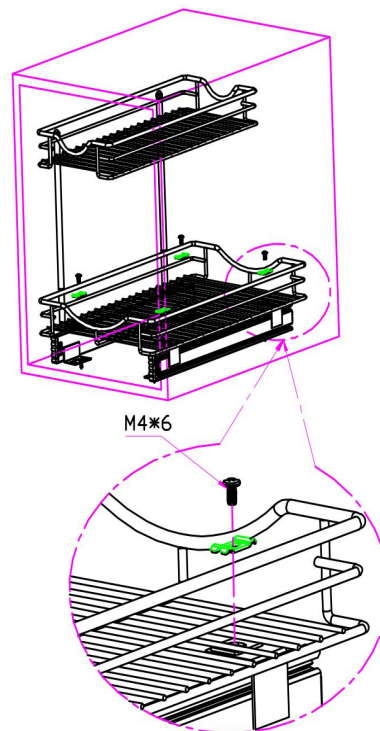
Step 2: Fix the slide on the bottom of cabinet with 8 screws.



Step 3: Assemble the organizer and tighten the parts with a wrench.



Step 4: Install the organizer on the slides.



NOTES FOR ORDERING

- :: The main frame is made of chrome-plated steel. Please specify if stainless steel is preferred.
- :: The slides are non-damped three-section ball bearing slides. Please specify if damped slides are preferred.



PACKING LIST

No.	Parts Name	Picture	Quantity
1	Upper Tier		1
2	Bottom Tier		1
3	Slide		1
4	Connecting Rod		2
5	ST4*16 Tapping Screw		8
6	M4*8 Phillips Round Head Machine Screw		4
7	Fixed Plate		4
8	M6 Nut		2
9	Wrench		1



SHIPPING INFORMATION

SKU	SETS/CTN	NET WEIGHT/CTN (KG)	GROSS WEIGHT/CTN (KG)	PACKAGE SIZE (MM)	SETS/20 GP	SETS/40 GP	SETS/40 HP
22.18.91000100	1	3.4	3.9	470*290*80	2560	5300	6200
22.18.91000200	1	4.0	4.5	550*290*80	2200	4100	5350

