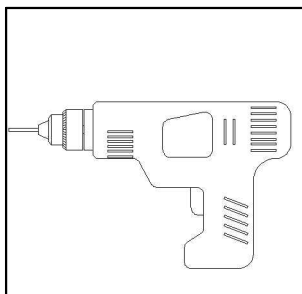


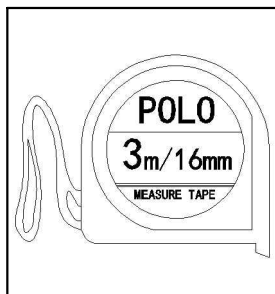
Top Mounted Pull Out Trousers Rack -- S-Shape Single-Row

WARDROBE ACCESSORIES >>TROUSERS RACK >>INSTALLATION INSTRUCTIONS

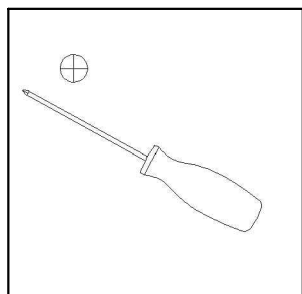
PREPARATION



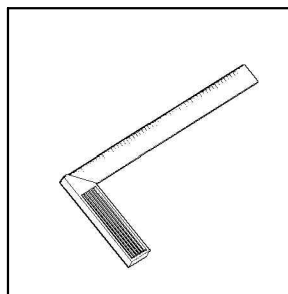
ELECTRIC DRILL



TAPE

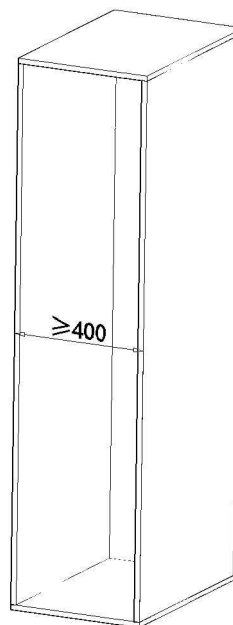


PHILLIPS DRIVER



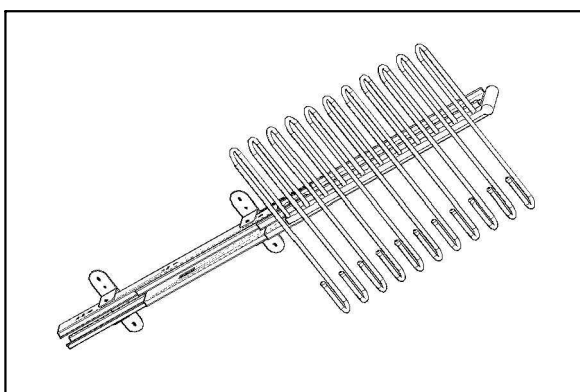
SQUARE

◆ Please prepare the above tools before installation.

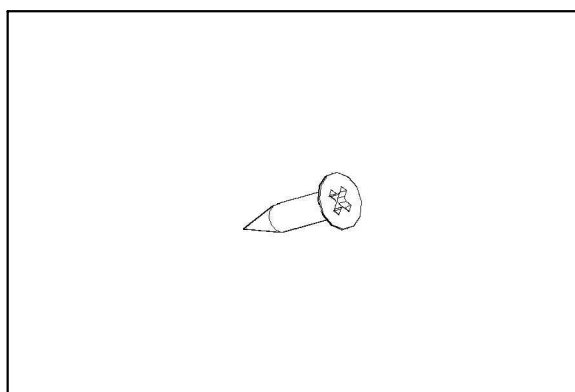


◆ Ensure the cabinet width ≥ 400 mm before the installation of Single-Row S Shape top mounted trousers rack.

MATERIALS



① S-Shape Single-Row Rack
(1 set, with slide and base)



② Screw(8 pcs)



BETTER VENACE, ELEGANT LIFE

www.venace.com

- ◆ Factory Supply
- ◆ Rapid Shipment
- ◆ Reasonable Price

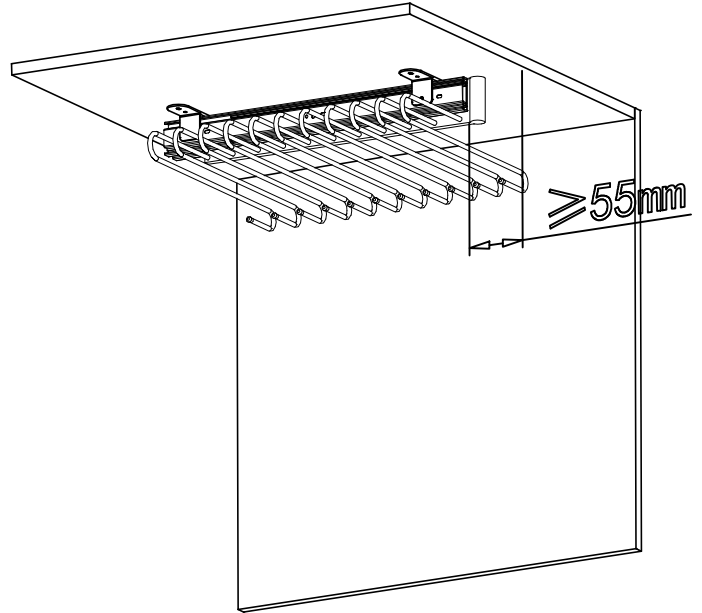
- ◆ TÜV Certificate
- ◆ SGS Certificate
- ◆ APICS Certificate

Top Mounted Pull Out Trousers Rack -- S-Shape Single-Row

WARDROBE ACCESSORIES >> TROUSERS RACK >> INSTALLATION INSTRUCTIONS

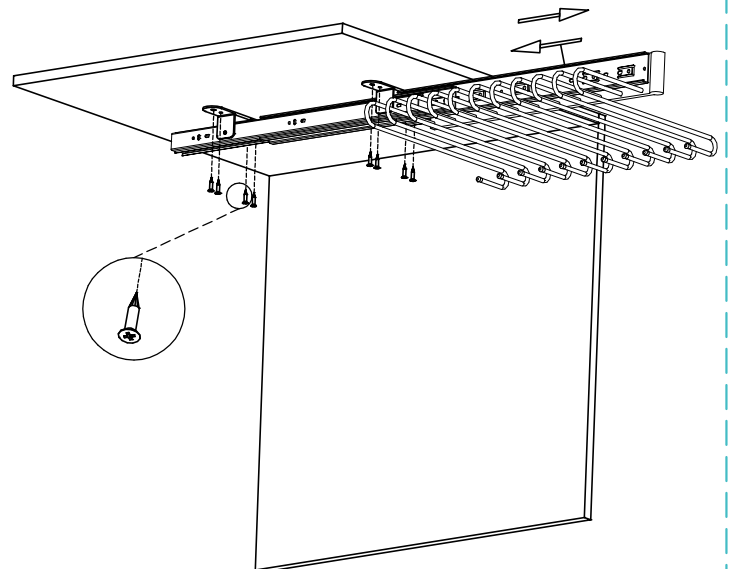
STEP. 1

Mark installation position to ensure the following assembly aligned. Keep at least 55mm distance between the outer slide and the front edge of wardrobe board. Shown as the figure.



STEP. 2

Pull out the s-shape trousers rack, fix 2 steel plates with screws. Pull forth and back for trial, then done. Shown as the figure.



BETTER VENACE, ELEGANT LIFE

www.venace.com

- ◆ Factory Supply
- ◆ Rapid Shipment
- ◆ Reasonable Price
- ◆ TÜV Certificate
- ◆ SGS Certificate
- ◆ APICS Certificate