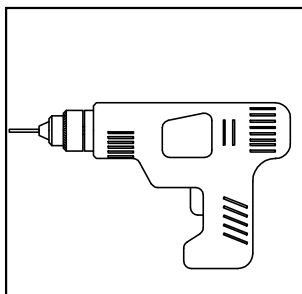


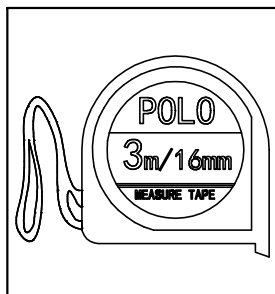
Pull Out Wardrobe Wire Basket -- EA Series

WARDROBE ACCESSORIES >>WARDROBE BASKET >>INSTALLATION INSTRUCTIONS

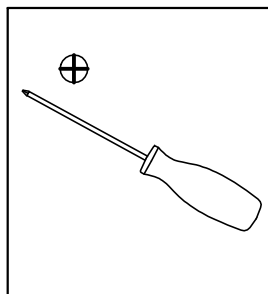
PREPARATION



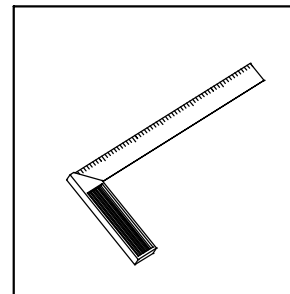
ELECTRIC DRILL



TAPE



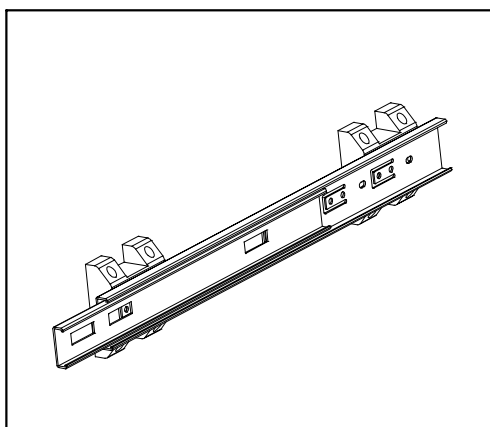
PHILLIPS DRIVER



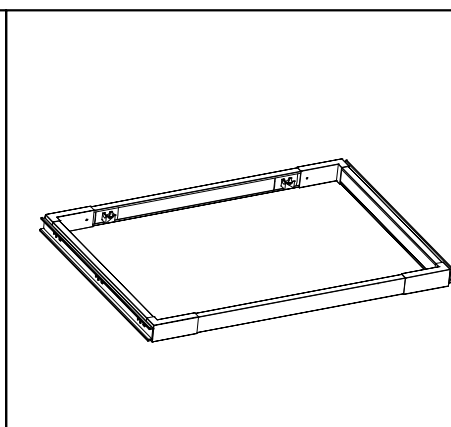
SQUARE

◆ Please prepare the above tools before installation.

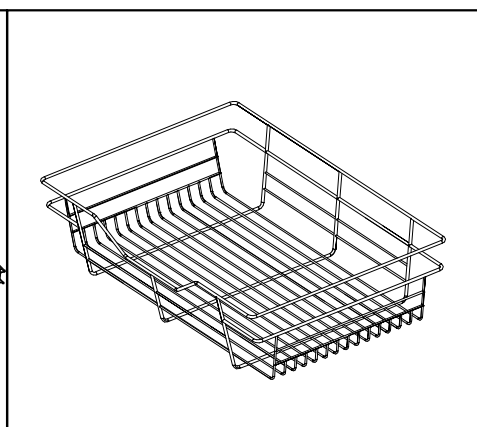
MATERIALS



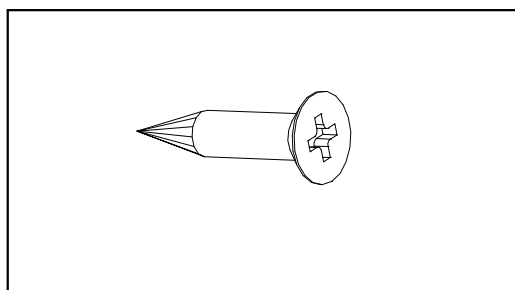
① EA Slide Outer Rail(2pcs, with base)



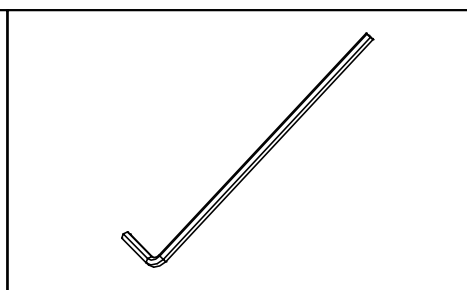
② EA Frame(1 set, with support)



③ EA Pull Out Wire Basket(1pc)



④ 4*20 Phillips Screw (16pcs)



⑤ Allen Wrench(1pc)



BETTER VENACE, ELEGANT LIFE

www.venace.com

- ◆ Factory Supply
- ◆ Rapid Shipment
- ◆ Reasonable Price

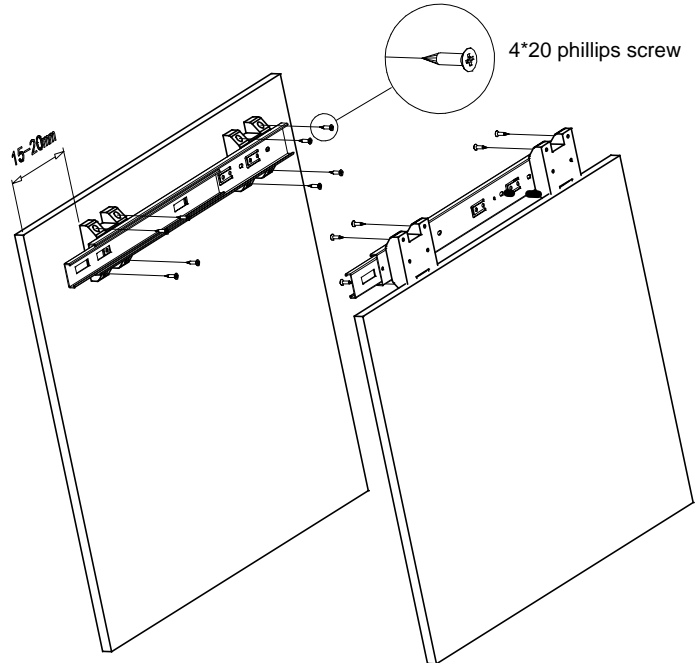
- ◆ TÜV Certificate
- ◆ SGS Certificate
- ◆ APICS Certificate

Pull Out Wardrobe Basket -- EA Series

WARDROBE ACCESSORIES >> WARDROBE BASKET >> INSTALLATION INSTRUCTIONS

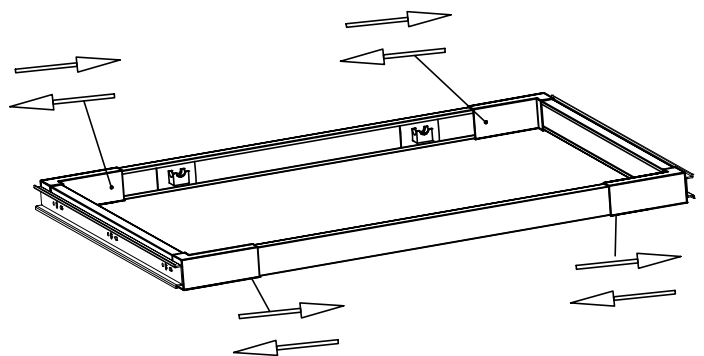
STEP. 1

Mark installation position to ensure the following assembly aligned, and fasten both slides with screws. Keep 15~20mm distance between the outer base spacer and the front edge of wardrobe board. Shown as below figure.



STEP. 2

Assemble below frame (already with inner slides and rods on) together with outer slides already fixed in the wardrobe until the width suits the wardrobe very well. Shown as below figure.

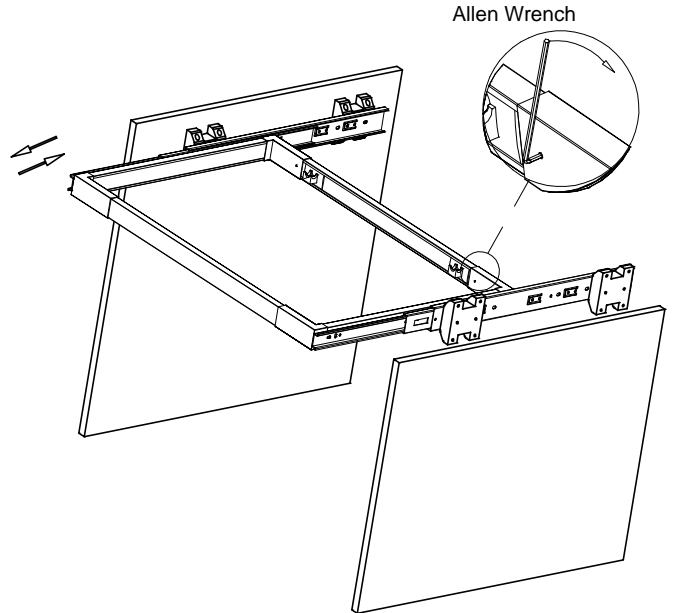


Pull Out Wardrobe Basket -- EA Series

WARDROBE ACCESSORIES >> WARDROBE BASKET >> INSTALLATION INSTRUCTIONS

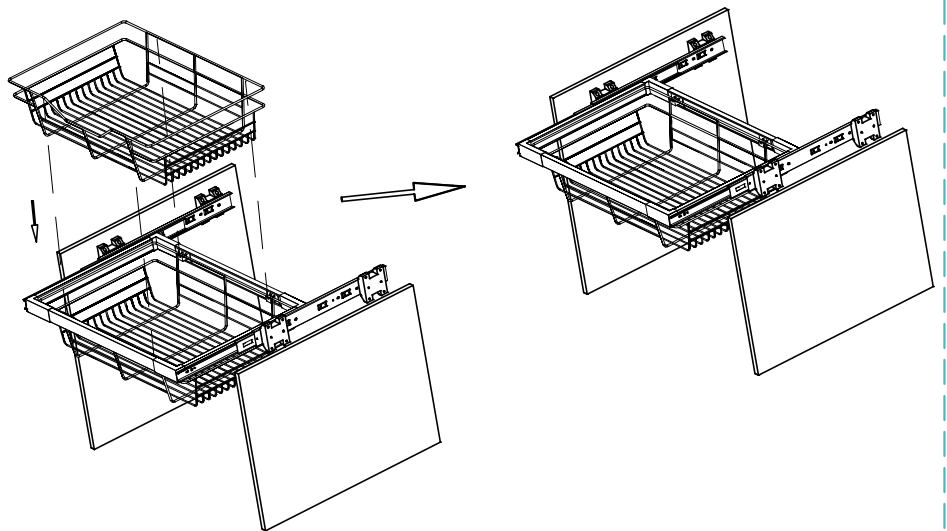
STEP. 3

After Step 2, pull the item forth and back for trial, then fasten the corner spacer with hexagon screws and done. Shown as below figure.



STEP. 4

Embed the the basket shown as below figure, then done. Shown as below figure.



BETTER VENACE, ELEGANT LIFE

www.venace.com

- ◆ Factory Supply
- ◆ Rapid Shipment
- ◆ Reasonable Price
- ◆ TÜV Certificate
- ◆ SGS Certificate
- ◆ APICS Certificate