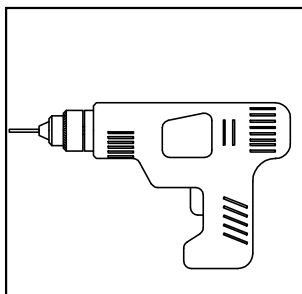


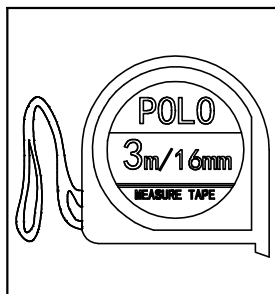
# Pull Out Wardrobe Laundry Hamper -- IT Series

WARDROBE ACCESSORIES >> LAUNDRY HAMPER >> INSTALLATION INSTRUCTIONS

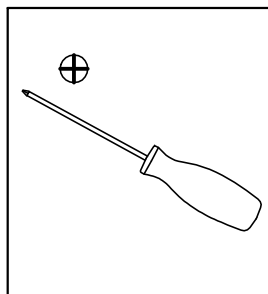
## PREPARATION



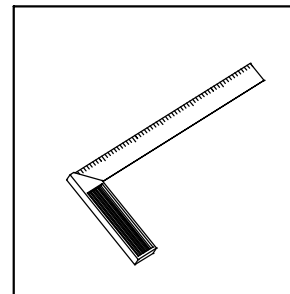
ELECTRIC DRILL



TAPE



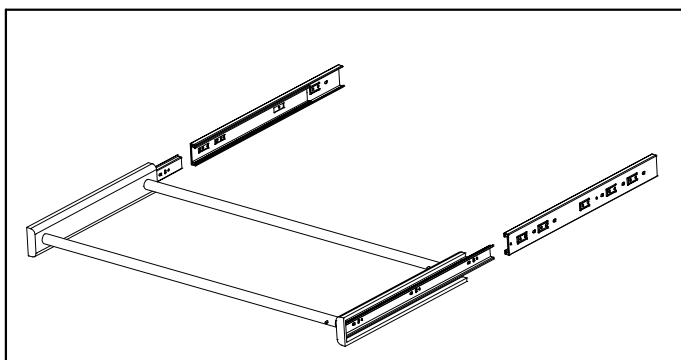
PHILLIPS DRIVER



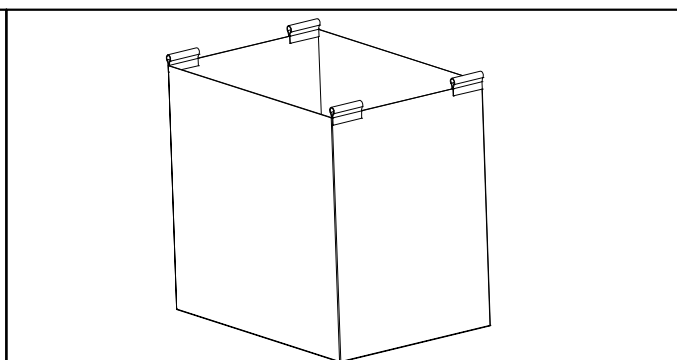
SQUARE

◆ Please prepare the above tools before installation.

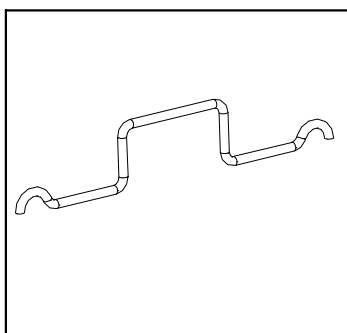
## MATERIALS



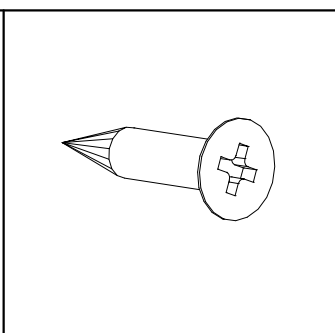
① IT Frame(1 set, with slide)



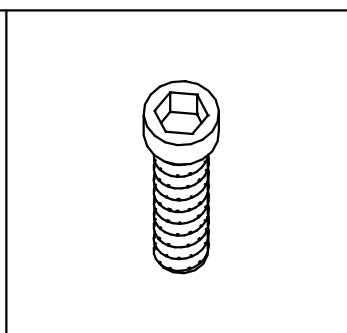
② IT Hamper(2 pcs)



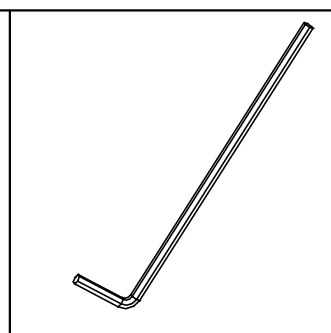
③ IT Hamper Rod(4 pcs)



④ 4\*16 Phillips Screw  
(6 pcs)



⑤ 4\*6 Hexagon Screw(2 pcs)



⑥ Allen Wrench(1 pcs)



BETTER VENACE, ELEGANT LIFE

[www.venace.com](http://www.venace.com)

- ◆ Factory Supply
- ◆ Rapid Shipment
- ◆ Reasonable Price

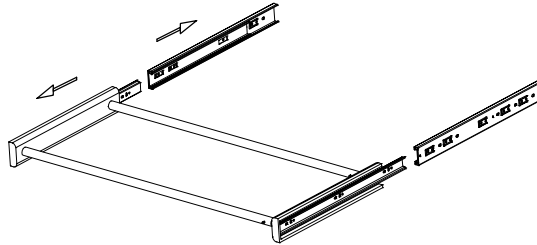
- ◆ TÜV Certificate
- ◆ SGS Certificate
- ◆ APICS Certificate

# Pull Out Wardrobe Laundry Hamper -- IT Series

WARDROBE ACCESSORIES >> LAUNDRY HAMPER >> INSTALLATION INSTRUCTIONS

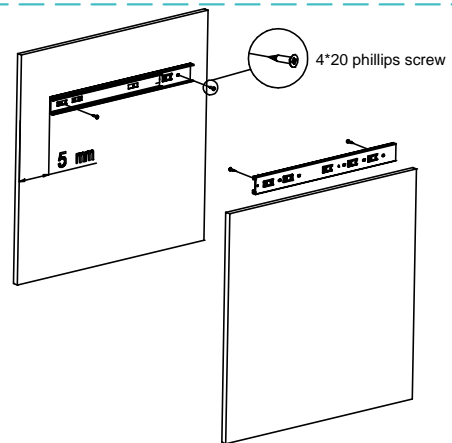
## STEP. 1

Separate inner slide (already with frame on) from the outer slide. Shown as below figure.



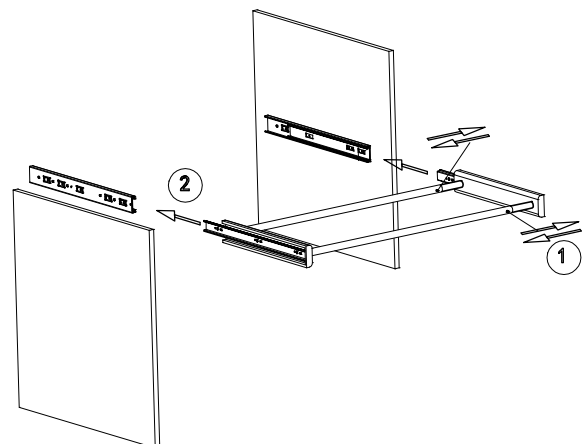
## STEP. 2

Mark installation position to ensure the following assembly aligned, and fasten both outer slides with screws. Keep at least 5 mm between outer slide edge and the front edge of wardrobe board. Shown as the figure.



## STEP. 3

Adjust frame width to ensure both slides can be well-assembled. Shown as the figure.

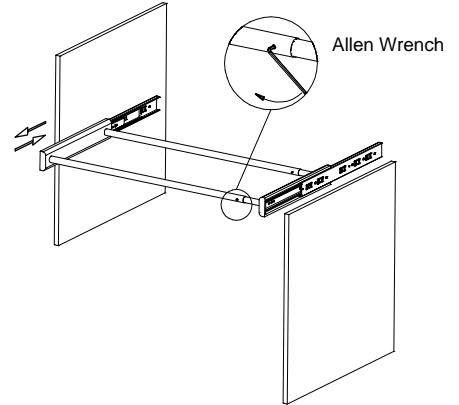


# Pull Out Wardrobe Laundry Hamper -- IT Series

WARDROBE ACCESSORIES >> LAUNDRY HAMPER >> INSTALLATION INSTRUCTIONS

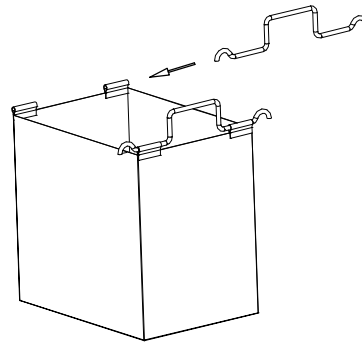
## STEP. 4

Pull the item forth and back for trial, then fasten the frame with hexagon screws. Shown as the figure.



## STEP. 5

Hang the rods onto the hamper. Shown as the figure.



## STEP. 6

Put the hampers with rods onto the frame, then done. Shown as the figure.

