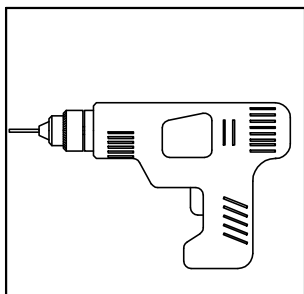


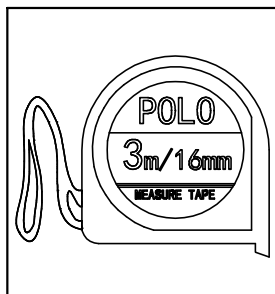
Pull Out Wardrobe Pivoting Mirror

WARDROBE ACCESSORIES >> WARDROBE MIRROR >> INSTALLATION INSTRUCTIONS

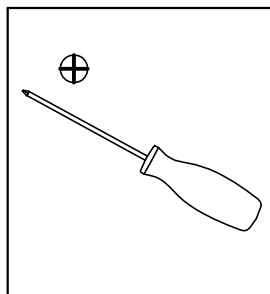
PREPARATION



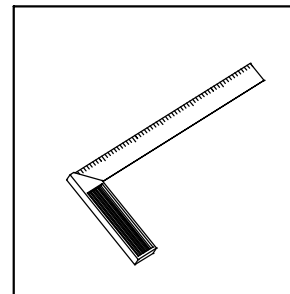
ELECTRIC DRILL



TAPE



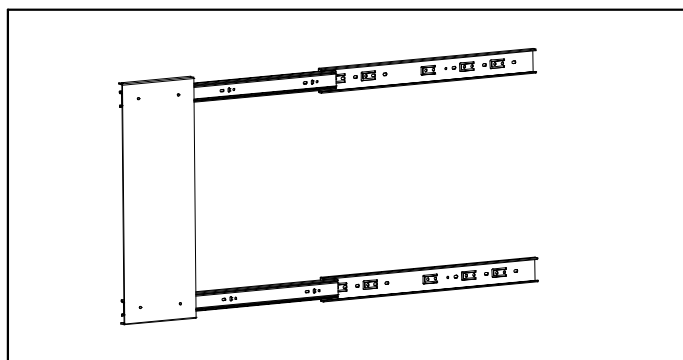
PHILLIPS DRIVER



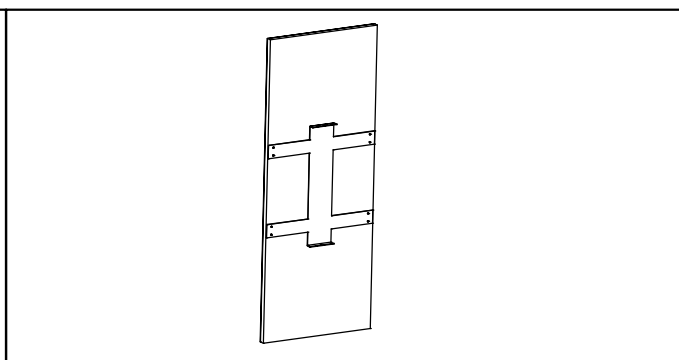
SQUARE

◆ Please prepare the above tools before installation.

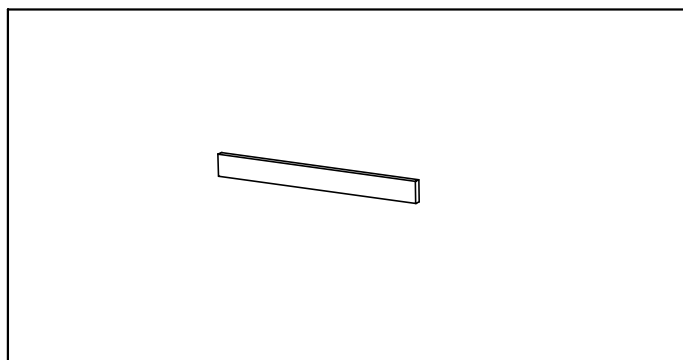
MATERIALS



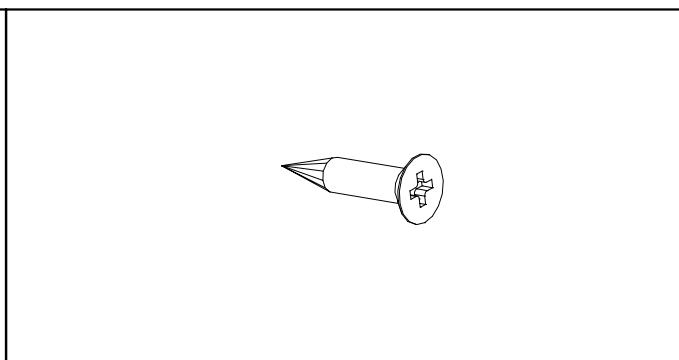
① IT Frame(1 set, with slide)



② IT Mirror(1 set, with support)



③ Magnet(1 pc)



④ Screw(6 pcs)



BETTER VENACE, ELEGANT LIFE

www.venace.com

- ◆ Factory Supply
- ◆ Rapid Shipment
- ◆ Reasonable Price

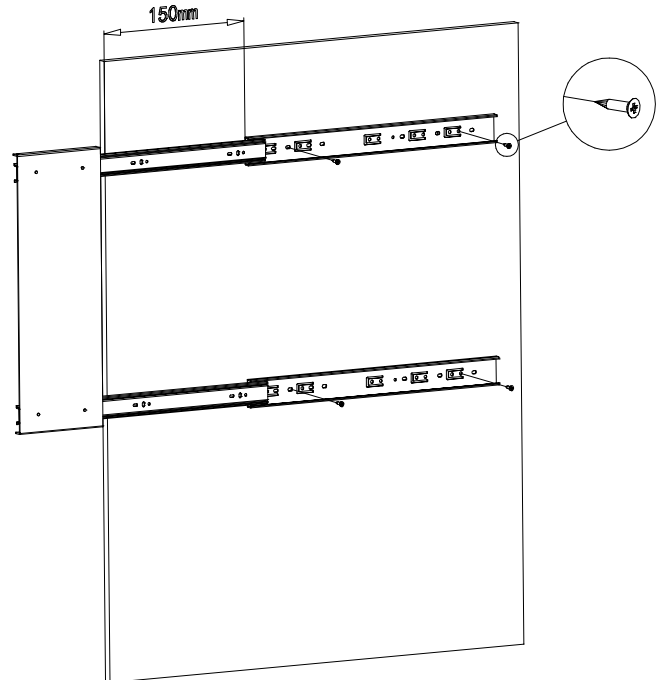
- ◆ TÜV Certificate
- ◆ SGS Certificate
- ◆ APICS Certificate

Pull Out Wardrobe Pivoting Mirror

WARDROBE ACCESSORIES >> WARDROBE MIRROR>>INSTALLATION INSTRUCTIONS

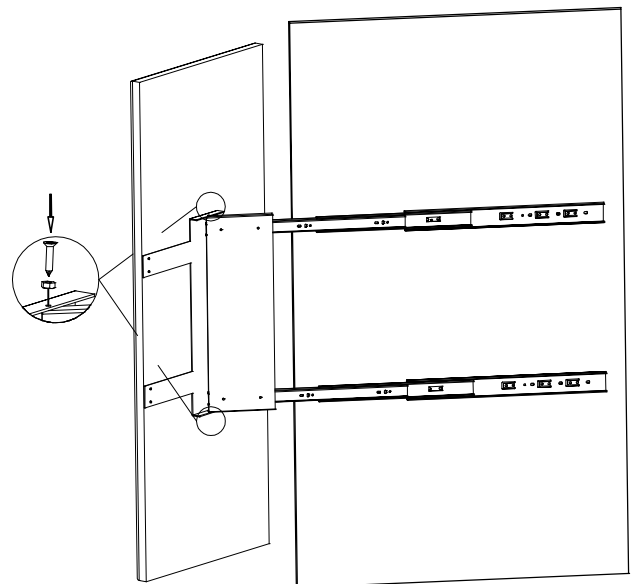
STEP. 1

Mark installation position to ensure the following assembly aligned, and fasten both slides with screws. Keep at least 150mm distance between the outer edge of steel frame and the front edge of wardrobe board. Shown as the figure.



STEP. 2

Fix the mirror and the steel frame from up and down. Shown as the figure.



BETTER VENACE, ELEGANT LIFE

www.venace.com

- ◆ Factory Supply
- ◆ Rapid Shipment
- ◆ Reasonable Price

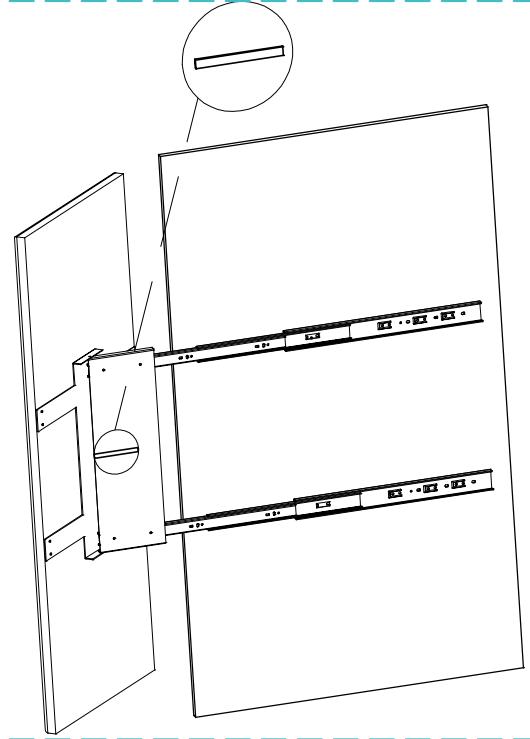
- ◆ TÜV Certificate
- ◆ SGS Certificate
- ◆ APICS Certificate

Pull Out Wardrobe Pivoting Mirror

WARDROBE ACCESSORIES >> WARDROBE MIRROR >> INSTALLATION INSTRUCTIONS

STEP. 3

Horizontally stick the magnet onto the edge of plate with slides shown as the figure.



STEP. 4

Pull the item forth and back for trial, then done. Shown as the figure.

