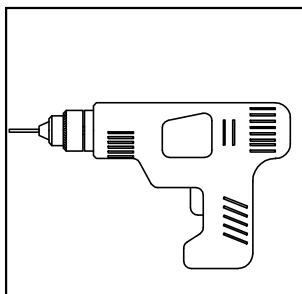


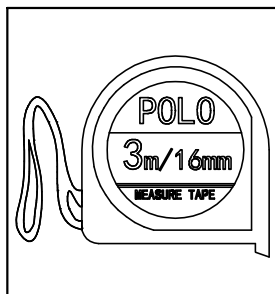
Pull Out Jewelry Tray With Velvet Grid -- EA Series

WARDROBE ACCESSORIES >>WARDROBE JEWELRY BOX >>INSTALLATION INSTRUCTIONS

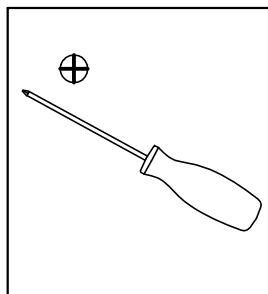
PREPARATION



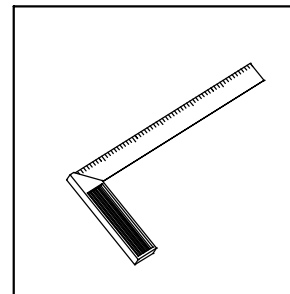
ELECTRIC DRILL



TAPE



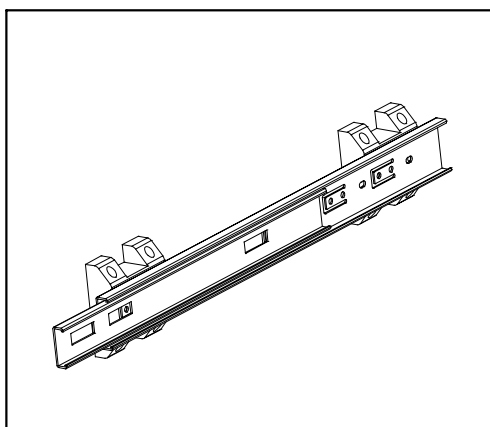
PHILLIPS DRIVER



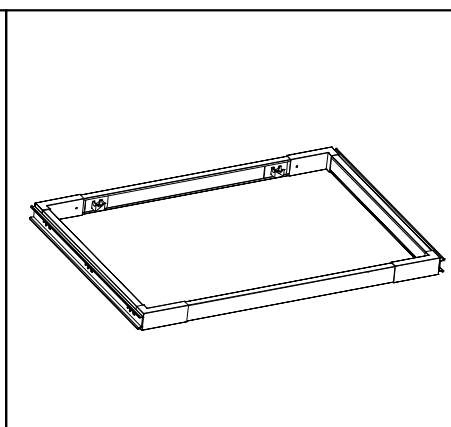
SQUARE

◆ Please prepare the above tools before installation.

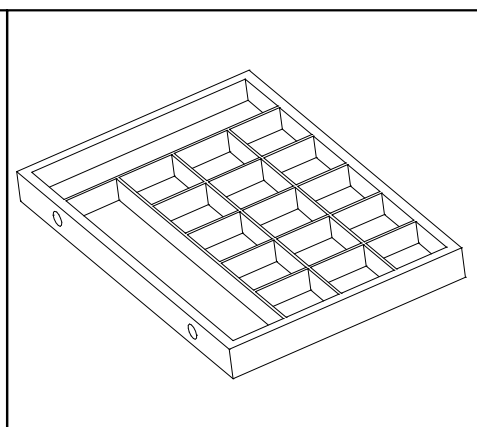
MATERIALS



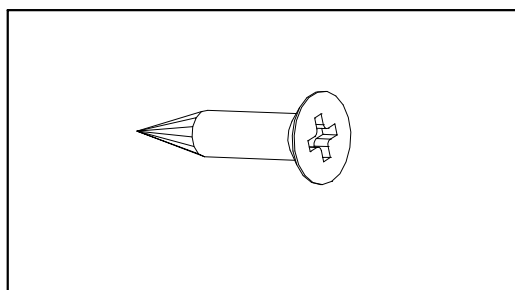
① EA Slide Outer Rail(2pcs, with base)



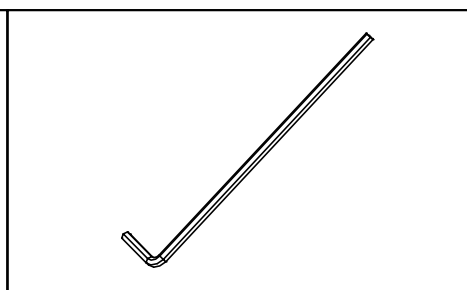
② EA Frame(1 set, with support)



③ EA Pull Out Tray with Velvet Grid(1pc)



④ 4*20 Phillips Screw (16pcs)



⑤ Allen Wrench(1pc)



BETTER VENACE, ELEGANT LIFE

www.venace.com

- ◆ Factory Supply
- ◆ Rapid Shipment
- ◆ Reasonable Price

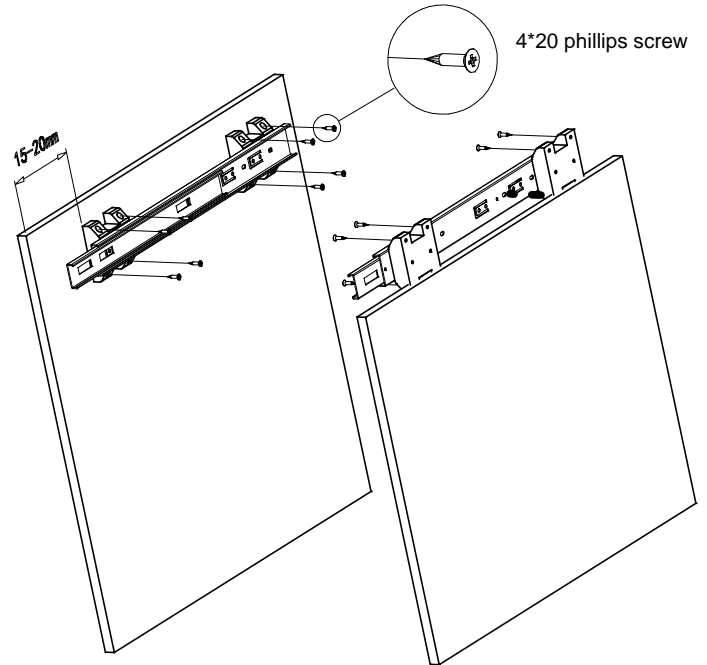
- ◆ TÜV Certificate
- ◆ SGS Certificate
- ◆ APICS Certificate

Pull Out Wardrobe Jewelry Box -- EA Series

WARDROBE ACCESSORIES >>WARDROBE JEWELRY BOX >>INSTALLATION INSTRUCTIONS

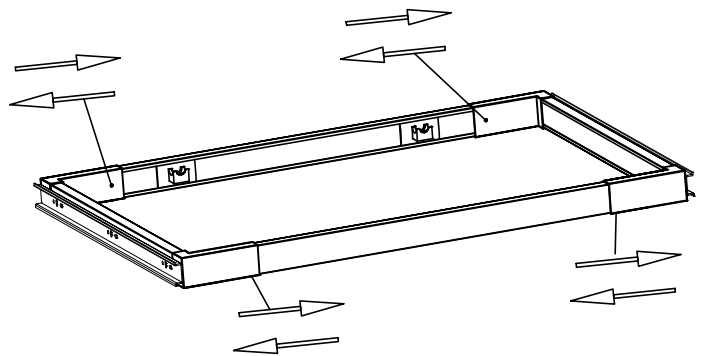
STEP. 1

Mark installation position to ensure the following assembly aligned, and fasten both slides with screws. Keep 15~20mm distance between the outer base spacer and the front edge of wardrobe board. Shown as the figure.



STEP. 2

Assemble below frame (already with inner slides and rods on) together with outer slides already fixed in the wardrobe until the width suits the wardrobe very well. Shown as the figure.

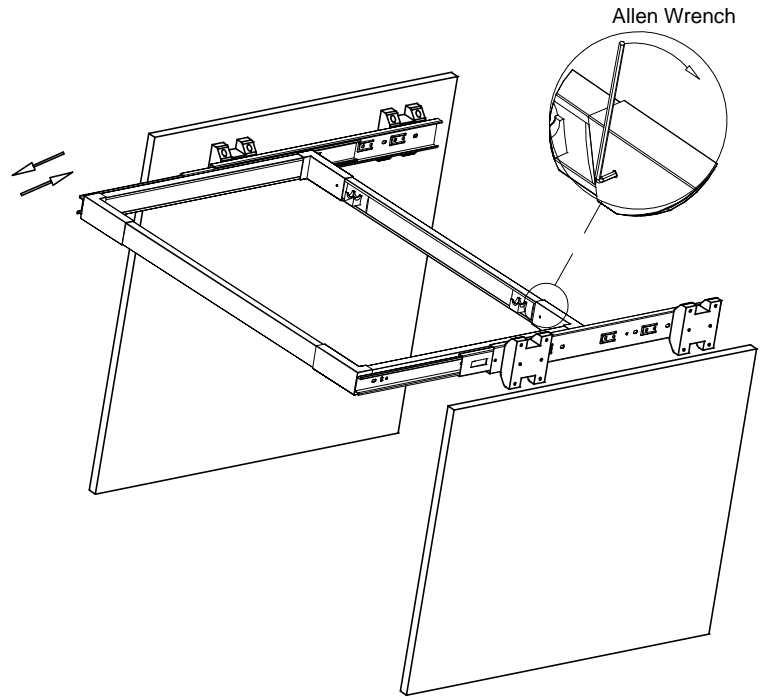


Pull Out Wardrobe Jewelry Box -- EA Series

WARDROBE ACCESSORIES >> WARDROBE JEWELRY BOX >> INSTALLATION INSTRUCTIONS

STEP. 3

After Step 2, pull the item forth and back for trial, then fasten the corner spacer with hexagon screws and done. Shown as the figure.



STEP. 4

Embed the shoes rack/ the basket / the jewelry box shown as below figure, then done. Shown as the figure.

