

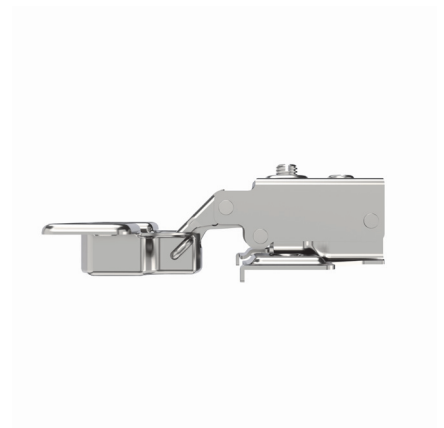
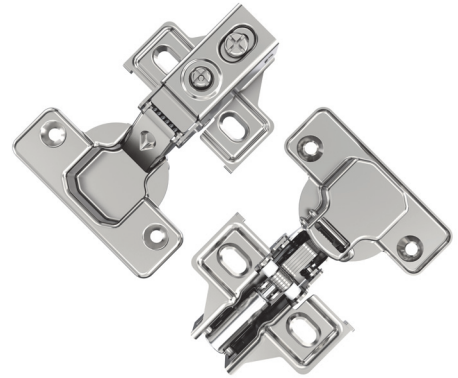
74g Soft Close 2 holes Short Arm Concealed Hinge

【PRODUCT NAME】

74g Soft Close 2 Holes Short Arm Concealed Hinge

【PRODUCT DESCRIPTION】

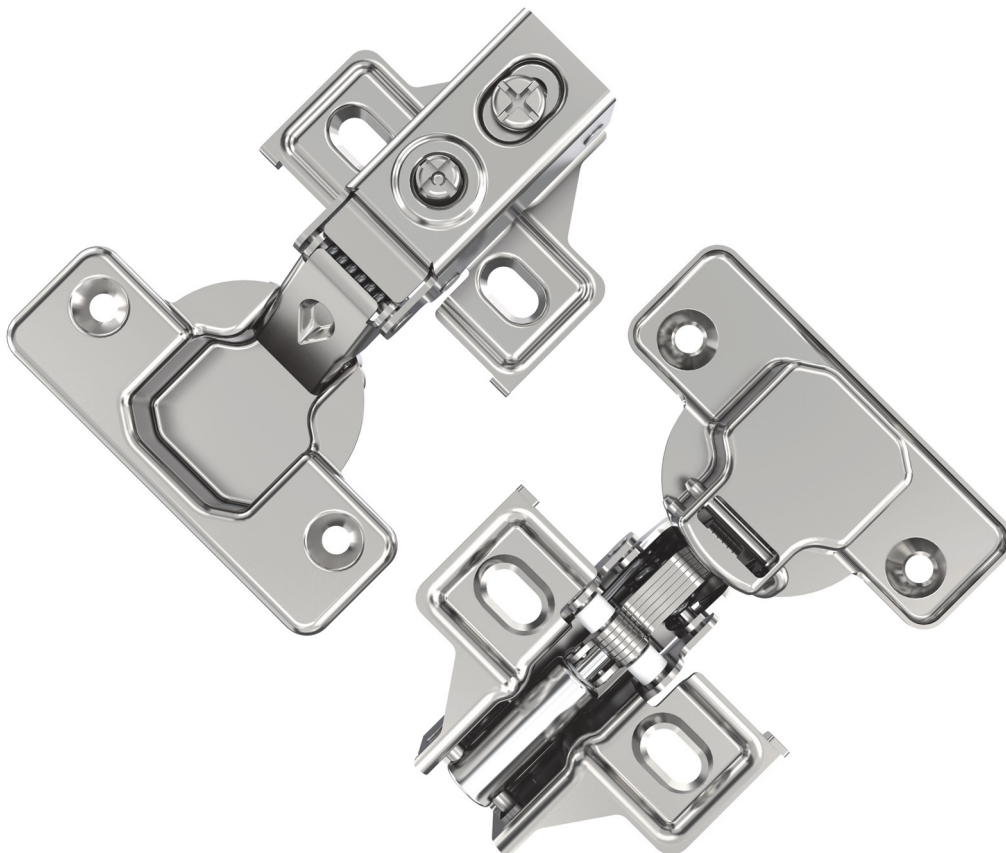
- :: This soft close short arm concealed hinges is full overlay hinge.
- :: High-quality steel and strengthened spring for long service life. .
- :: Nickel-plated finish makes strong corrosion resistance and anti oxidation ability.
- :: This short arm hinges is with a hydraulic mechanism..
- :: Designed for frameless cabinets.



QUALITY CONTROL

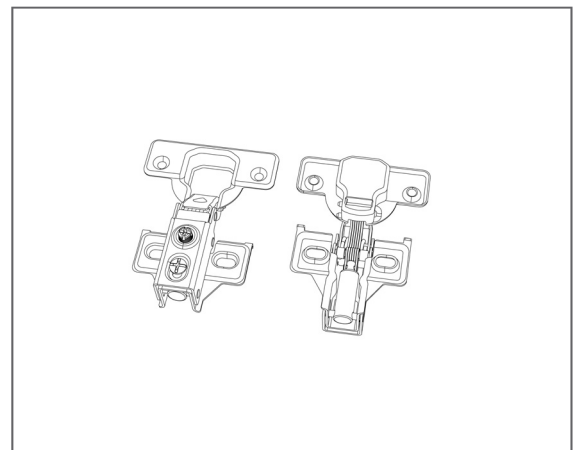
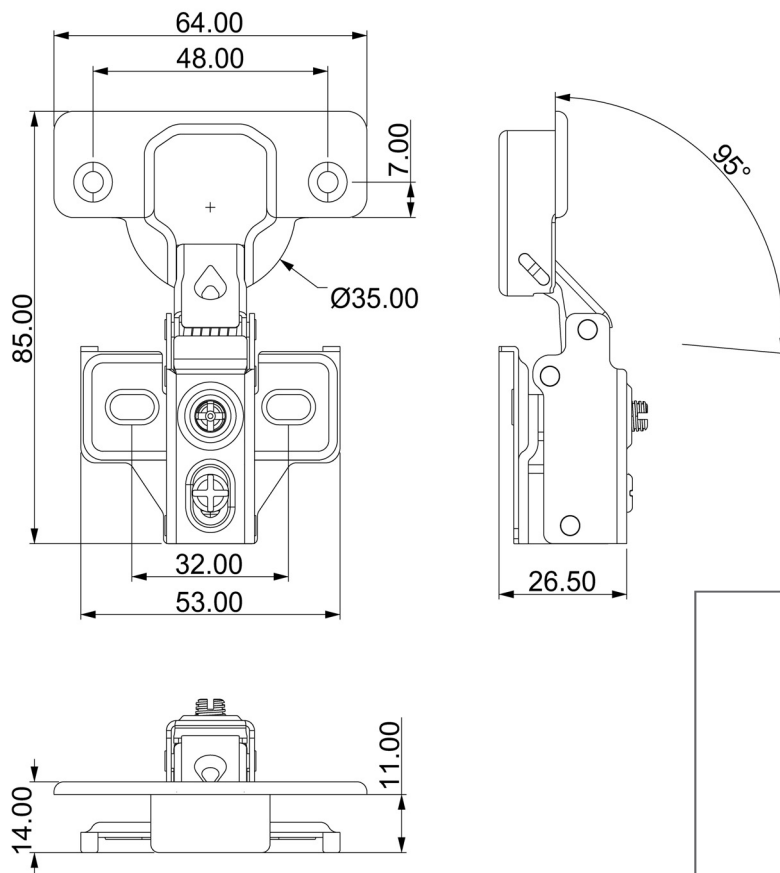
【KEY POINTS】

- :: Appearance: no defects such as rough plating, bubbles, pinholes, holes, peeling, cracks, stains, discoloration, and partial absence of plating, etc. Slight oil stains on the hinge and the situation that non-major surfaces are slightly rough and uneven in color are permissible.
- :: Usability: No jamming or friction sound when opening and closing the hinge.
- :: Adjustable: The soft close hinge can be adjusted in the range of ± 2 mm from front to back, left to right, and up to down.
- :: Opening Angle: The angle of the open hinge shall not be less than 95° .
- :: Accurate size and consistent quality are guaranteed by automated production lines.



PRODUCT SPECIFICATIONS

Cup Diameter	35 mm
Cup Depth	10 mm
Hole Pitch	48 mm
Material	Cold-Rolled Steel
Finish	Nickel Plated
Base	Butterfly-shaped
Angle of Opening	95°
Net Weight	74 ± 2 g
Door Thickness	14-24 mm

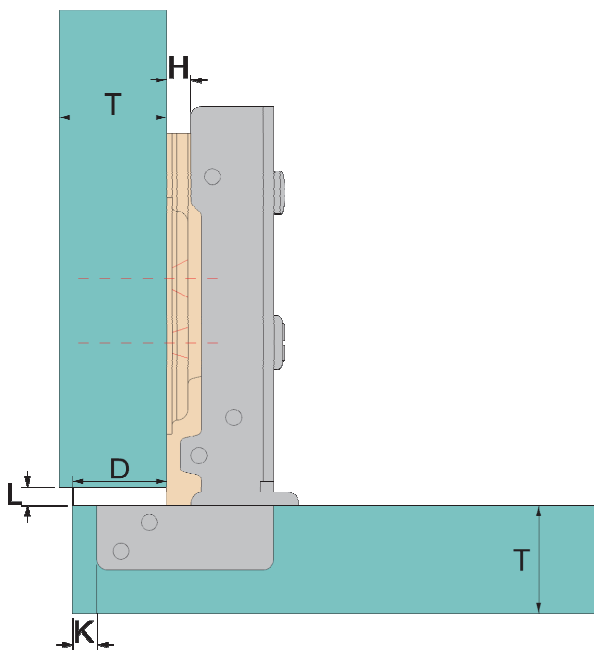


NOTES FOR ORDERING

:: OEM and customized logo are acceptable.



INSTALLATION GUIDE



D \ K	3	4	5	6	7	
H	0	15	16	17	18	19
1	14	15	16	17	18	
2	13	14	15	16	17	
3	12	13	14	15	16	

SHIPPING INFORMATION

SKU	Type	PC (s)/ CTN	Gross Weight/ CTN (kg)	Package Size (mm)	Sets/ 20 GP	Sets/ 40 GP	Sets/ 40 HP
44.42.00307401	Full overlay	200	15.10	370*260*240	225000	305000	345000

The above container load quantity is the reference value.