

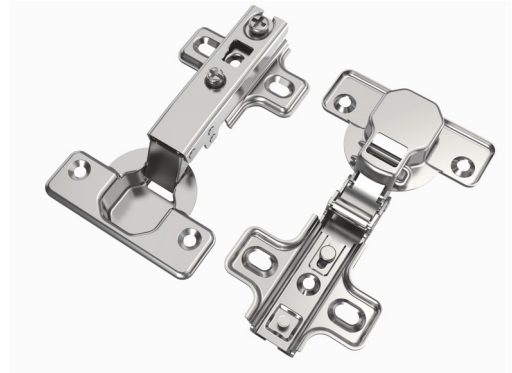
58g One-Way 2 Holes Concealed Hinge

【PRODUCT NAME】

58g One-Way 2 Holes Concealed Hinge

【PRODUCT DESCRIPTION】

- :: This one-way slide-on concealed hinge is full overlay.
- :: High-quality steel and strengthened spring for long service life.
- :: Nickel plating finish with strong corrosion resistance and anti-oxidation ability.
- :: This one-way hinge is without a hydraulic mechanism.
- :: Designed for frameless style cabinets.



QUALITY CONTROL

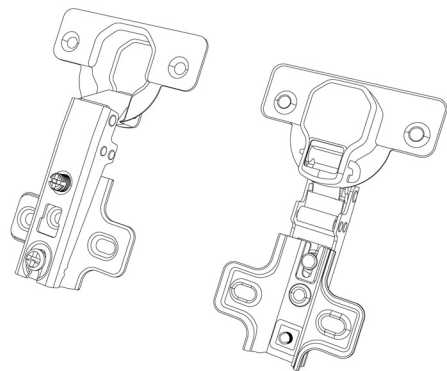
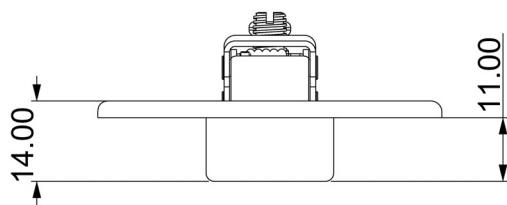
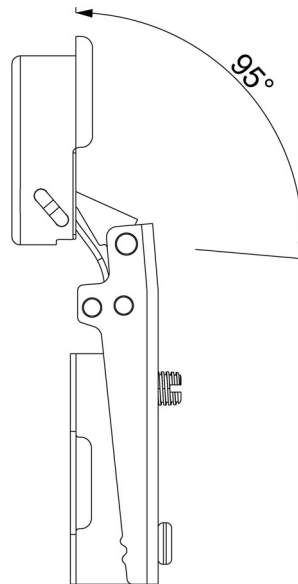
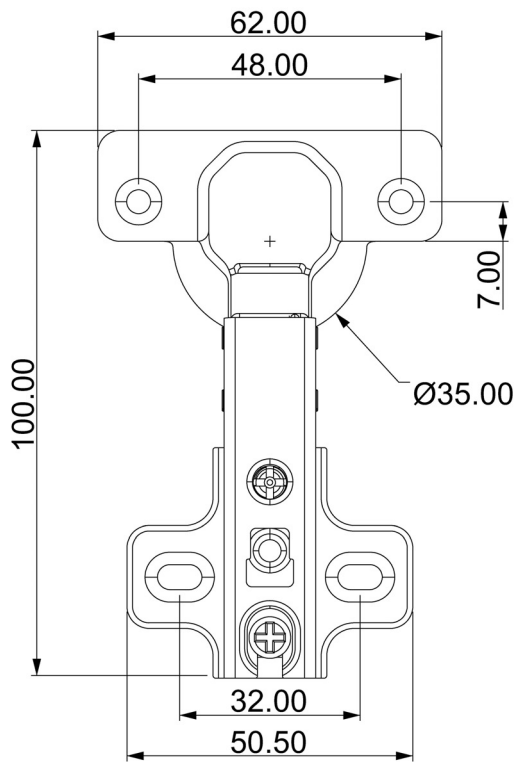
【KEY POINTS】

- :: Appearance: no defects such as rough plating, bubbles, pin holes, peeling, cracks, stains, discoloration, and partial absence of plating, etc. Slight oil stains on the hinge and the situation that non-major surfaces are slightly rough and uneven in color are permissible.
- :: Usability: No jamming or friction sound when opening and closing the hinge.
- :: Adjustability: The 35mm cup hinge can be adjusted in the range of $\pm 2\text{mm}$ from front to back, left to right, and up to down.
- :: Opening Angle: The angle of the open hinge shall not be less than 95° .
- :: Accurate size and outstanding product consistency are guaranteed by automated production lines.



PRODUCT SPECIFICATIONS

Cup Diameter	35 mm
Cup Depth	11 mm
Hole Pitch	48 mm
Material	Cold-Rolled Steel
Finish	Nickel Plated
Base	Slide On
Angle of Opening	95°
Net Weight	58 ± 2 g
Door Thickness	14-24 mm

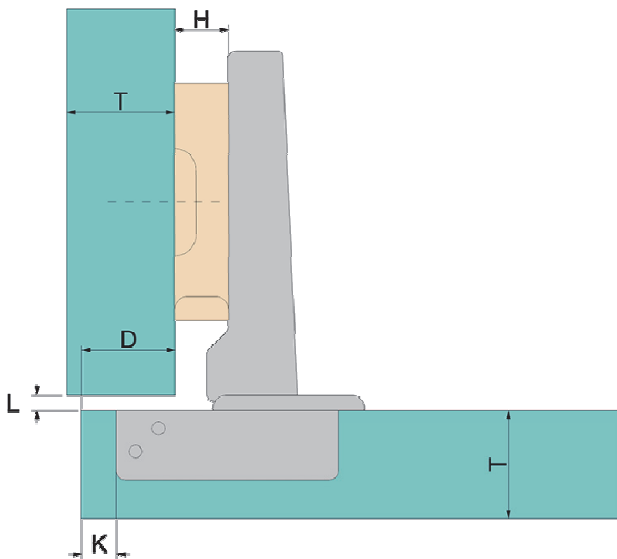


NOTES FOR ORDERING

- :: This type of Hinge is without dampers.
- :: OEM and customized logo are acceptable.



INSTALLATION GUIDE



D \ K	3	4	5	6	7	
H	-2	18	19	20	21	22
0	16	17	18	19	20	
2	14	15	16	17	18	
4	12	13	14	15	16	

SHIPPING INFORMATION

SKU	Type	PC(s)/CTN	Gross Weight/CTN (kg)	Package Size (mm)	Sets/20 GP	Sets/40 GP	Sets/40 HP
44.42.00000501	Full overlay	200	12.10	415*260*175	280000	380000	430000

The above container load quantity is the reference value.