

# Magic Coner II

## 【PRODUCT NAME】

Magic Corner II

SKU: 22.19.90200300

## 【PRODUCT DESCRIPTION】

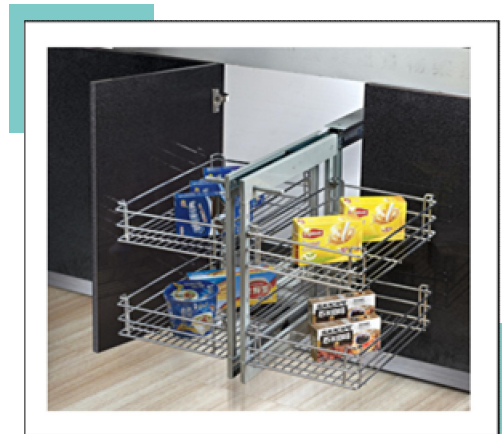
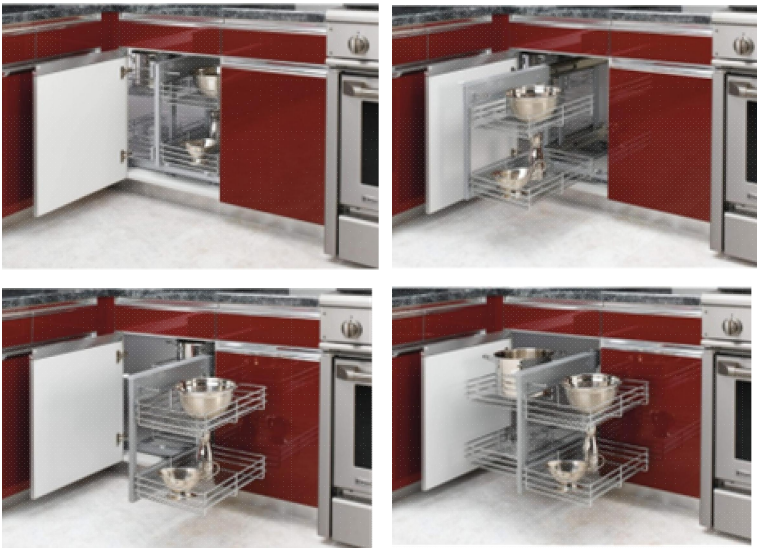
The blind corner cabinet organizer can maximize the space of the blind corner of the kitchen cabinet, and at the same time it allows the user to completely slide the blind corner rack to the outside of the cabinet, providing convenience for daily kitchen supplies. The device is easy to assemble and can be used for left-handed or right-handed applications after installation. This organizer fits most blind corner cabinets of 21.7 inches.



## DESIGN CONCEPT

It must be able to make full use of the blind corner of the cabinet, and it must also have a storage and classification function. At the same time, it allows you to quickly pick and place your kitchen things in the narrow cabinet corner. Based on the above 3 design points, the blind corner cabinet organizer adopts a smooth sliding guide system design, which ensures that you can completely slide the blind corner frame to the outside of the cabinet while ensuring that it can work smoothly and quietly. The design of four baskets allows you to organize kitchen supplies in different categories.

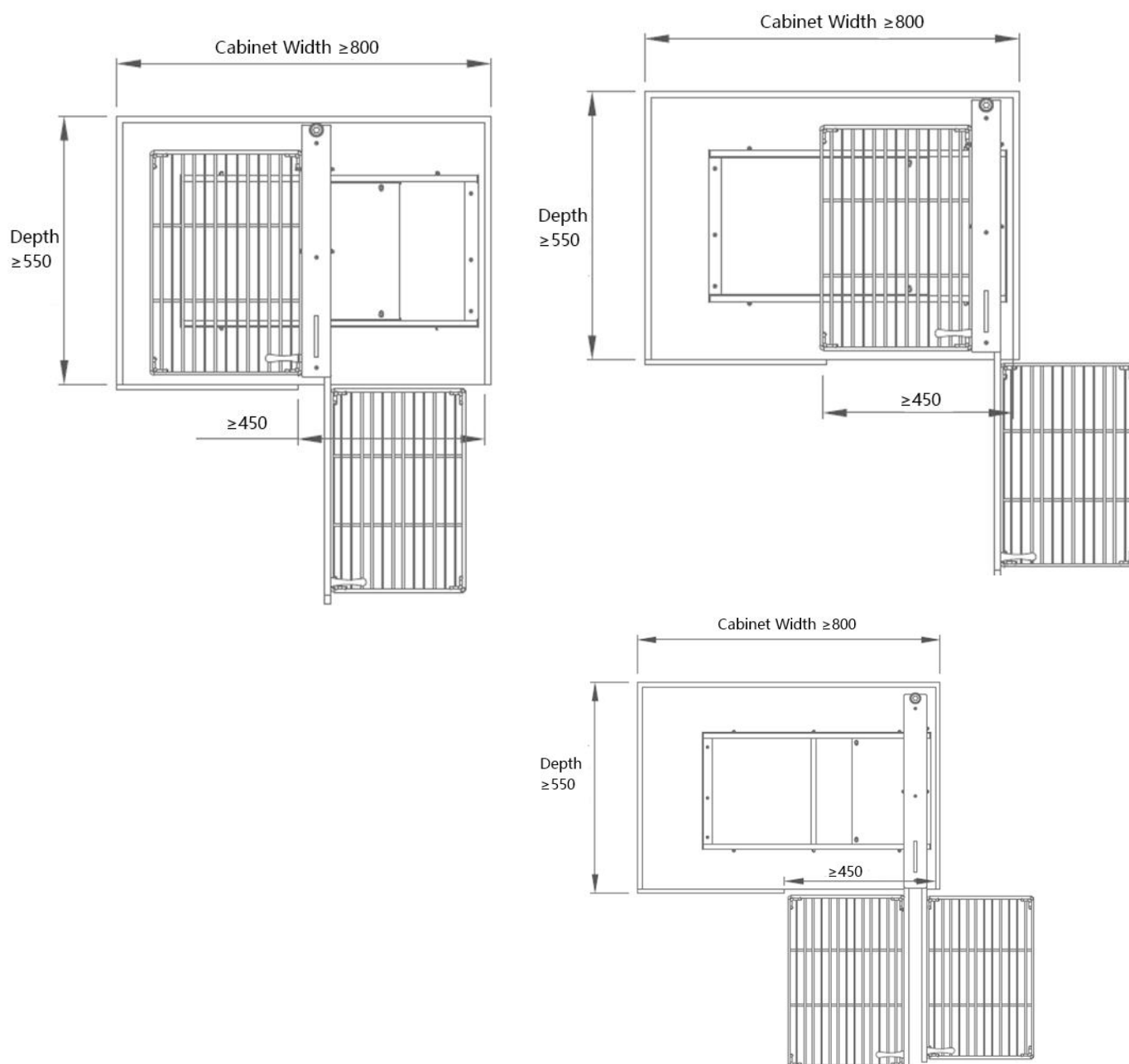
*Note: the following demonstration of product application scenarios, product details to the above display drawings and real samples shall prevail.*



# PRODUCT FEATURES

- :: The chrome-plated iron material contributes to its beautiful and fashionable appearance, anti-corrosion and anti-rust.
- :: Designed with four independent baskets, this heavy-duty corner storage cabinet supports various utensils, pans, pots, condiments, etc.
- :: Product Size: D480\*W650\*H560mm; suitable for most blind corner cabinets of 550 mm/21.7 inches, and the cabinet door opening is 400 mm/15.7 inches;
- :: The slide rail is stable and easy to push and pull. In order to prevent the pot from collision caused by excessive force, a full extension buffer slide system is specially designed.

# PRODUCT SPECIFICATION



# NOTES FOR ORDERING

:: The main frame is iron The chrome plating, and the base is iron spraying. Please specify if stainless steel is preferred.

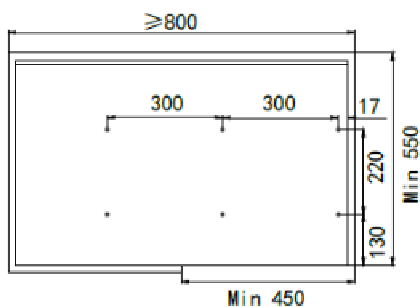
:: This product is appliance for 800mm of cabinet.

:: The slide on the base is ball bearing slide without Soft-close. If you need a damped slide , please specify it specially.

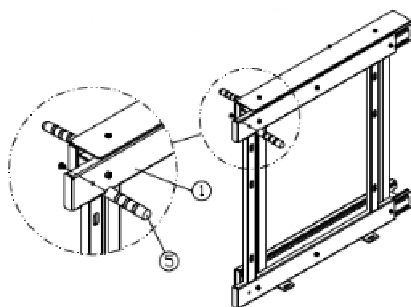


# INSTALLATION GUIDE

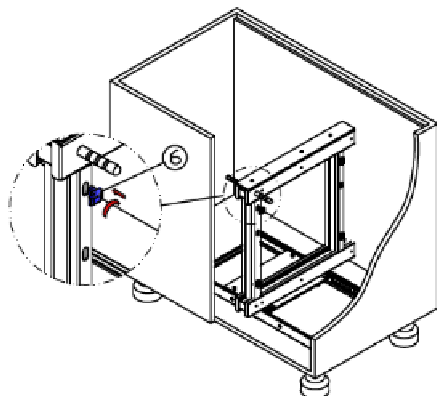
Step1: Position the installation hole on the bottom plate of the cabinet as shown in the drawing



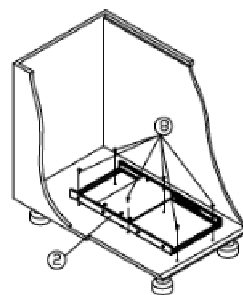
Step3: Press the handle as shown in the drawing.



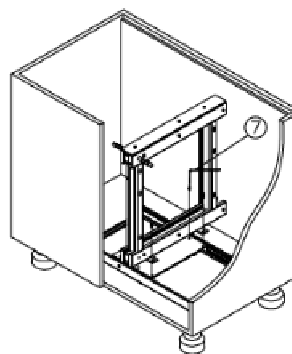
Step5: Install plastic hooks as shown.



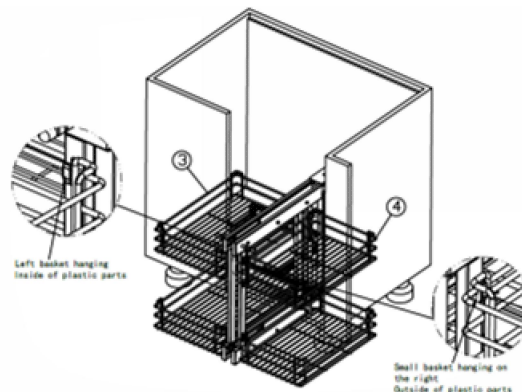
Step2: The base frame is aligned with the fixed mounting hole on the base plate and is screwed tight.





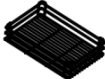
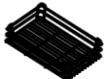




Step4: Loosen the hexagon socket screw on the base frame, install the main frame on the base frame and lock the screw as shown in the picture.



Step6: As shown on the left side Install large basket and small basket on right side.



# PACKLING LIST

1	Frame		1
2	Base		1
3	Big Basket		2
4	Small Basket		2
5	Handle		1
6	Plastic Hook		8
7	M4 Allen Key		1
8	Screws ST4*16		6



# SHIPPING INFORMATION

SKU	NET. WGIGHT (kg)	GROSS WEIGHT kg)	PACKAGE SIZE (mm)	Quantity 20'GP	Quantity 40'GP	Quantity 40'HQ
22. 19. 90200300	18.60	20.70	635*510*245MM	320	700	850

