

270° Revolving Basket



【PRODUCT NAME】

270° Revolving Basket

【PRODUCT DESCRIPTION】

This is a 270° revolving and height-adjustable basket, which is suitable for 700,800,900 mm wide cabinets. It can make the most of your cabinet corner..

DESIGN CONCEPT

In our daily life, cabinet has become almost every family's kitchen necessities. However, it is very difficult to deal with the corner of the cabinet. Not only does it take up space, but it is also inconvenient to take and put things. So, how can we make full use of the corners of the cabinets? This 270 degrees basket is a good solution to the problem of using 90 degrees cabinet corner.

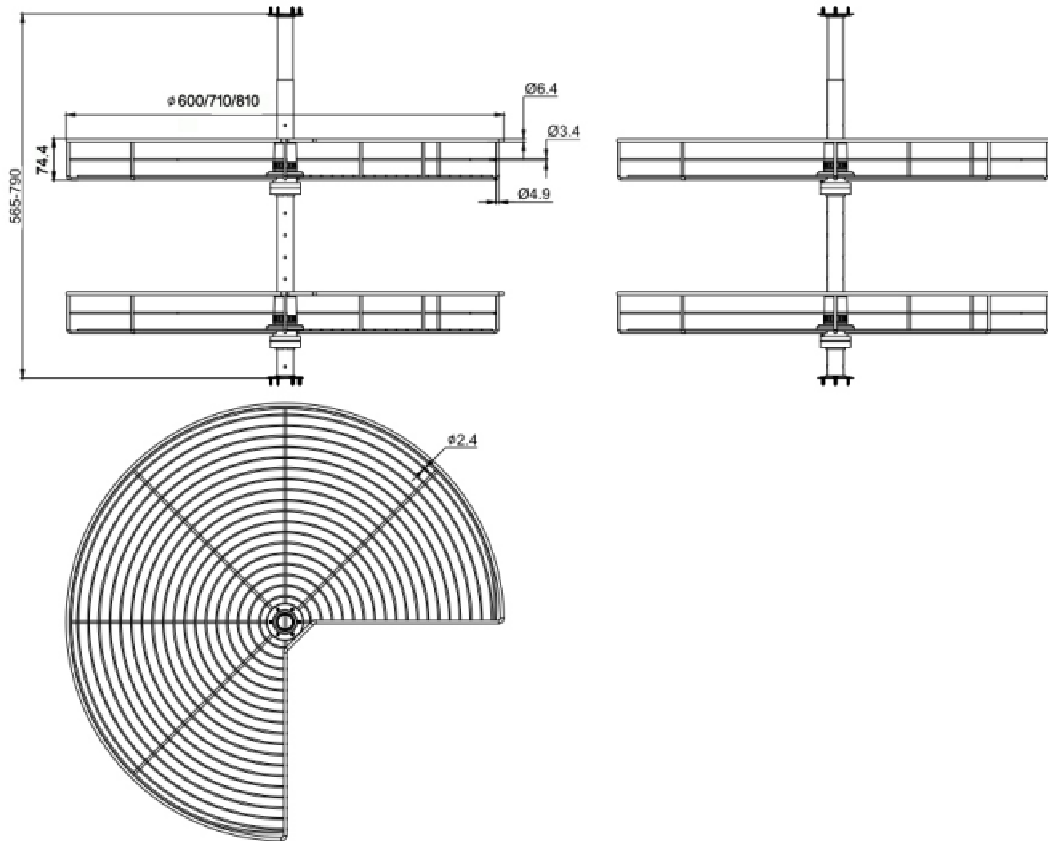


PRODUCT FEATURES

- :: 270° revolving cabinet basket, suitable for 700, 800, 900 mm cabinet, double-layer design, height adjustable.
- :: Multi-layer plating: smooth and shiny surface with strong rust and oxidation resistance.
- :: Laser welding: exquisite craftsmanship, burr-free surface, smooth and solid welding joints, well-matched wires.
- :: 610.710, 810 mm in diameters, suitable for cabinets with width of 700, 800, 900 mm. The height of the basket can be adjusted from 565 to 790 mm according to the cabinet.
- :: Suitable for corner cabinets to make the most of cabinet space.



PRODUCT SPECIFICATION



SKU	Product Name	Product Size (W*D*H mm)	Cabinet Width (mm)	Material/ Surface Treatment
22.20.70100100	270° Revolving Basket-700	600*600*(565-790)	700	Steel/ Electroplating
22.20.70100200	270° Revolving Basket-800	710*710*(565-790)	800	Steel/ Electroplating
22.20.70100300	270° Revolving Basket-900	810*810*(565-790)	900	Steel/ Electroplating

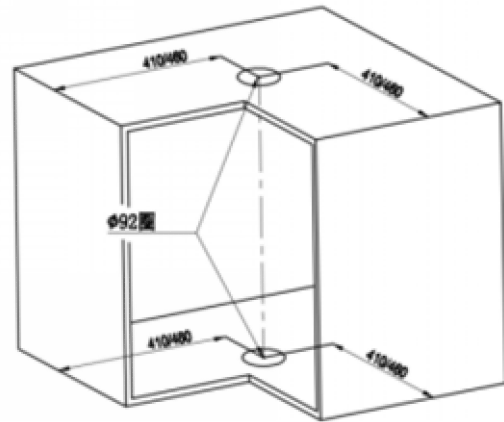
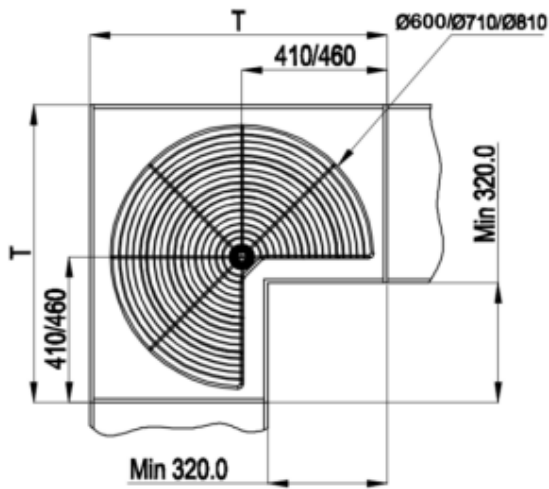
NOTES OF ORDERING

- :: This product is made of chrome-plated steel. Please specify if a stainless steel basket is preferred.
- :: This product has three specifications according to the width of the cabinet, please choose one according to your needs.
- :: OEM is available.

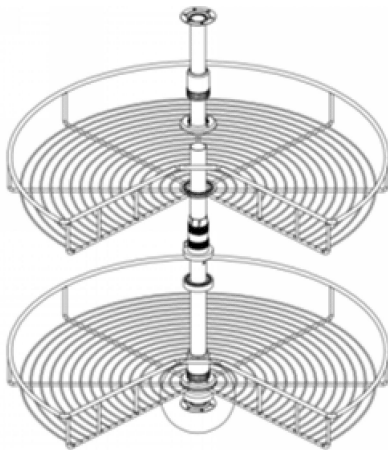


INSTALLATION GUIDE

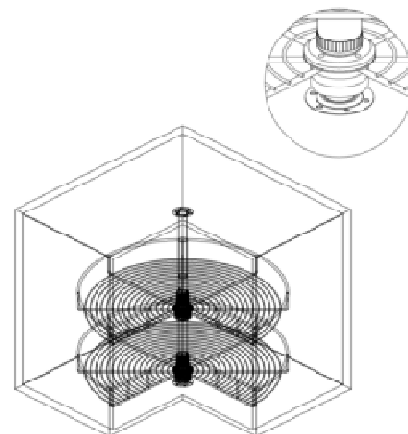
Step 1: Draw two auxiliary circles on the top and bottom plates as shown.



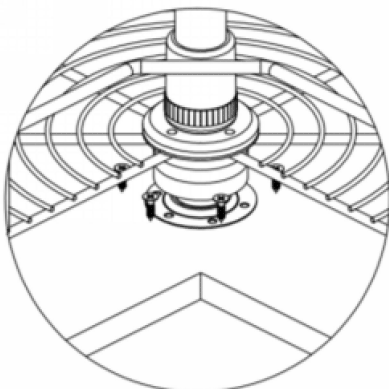
Step 2: Assemble the basket onto the tube. Please pay attention to the order of the plastic parts.



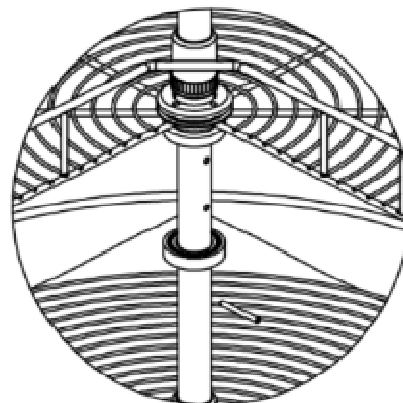
Step 3: Place the basket in the cabinet based on the auxiliary center point and adjust the angle of the basket.



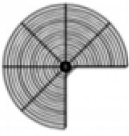
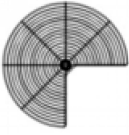


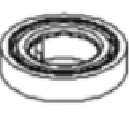





Step 4: Fix the top and bottom of the tube to base with ten ST3.5*16 screws.



Step 5: Adjust the height of the basket to a proper position with the bolt and tighten the plastic parts.



PACKLING LIST

No.	Parts Name	Picture	Quantity
1	Upper basket		1
2	Bottom basket		1
3	Upper tube		1
4	Bottom tube		1
5	plastic part #1		2
6	Plastic Part #2		2
7	Plastic Part #3		2
8	Plastic Parts #4		2
9	Bolt		2
10	ST3.5*16 Counter-sunk screws		10



SHIPPING INFORMATION

SKU	Sets/CTN	Net Weight/CTN (kg)	Gross Weight/CTN (kg)	Package Size (mm)	Sets/20 GP	Sets/40 GP	Sets/40 HQ
22.20.70100100	1	3.4	4.1	605*185*510	440	950	1120
22.20.70100200	1	4.1	5.0	715*185*605	310	680	800
22.20.70100300	1	4.6	5.8	815*185*690	240	520	615

The above container load quantity is the reference value.

Venace Intelligent Technology
<http://www.venace.com>