

# 180° Revolving Basket



## 【PRODUCT NAME】

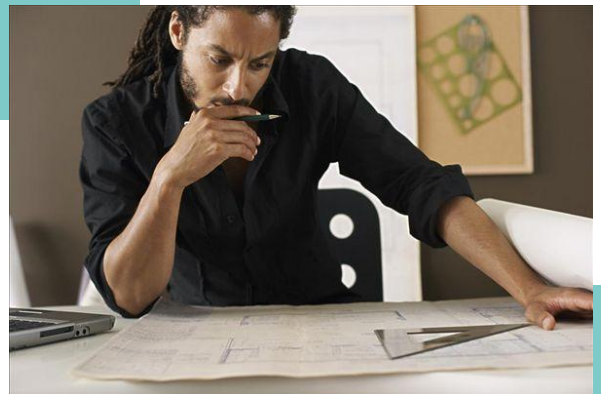
180° Revolving Basket

## 【PRODUCT DESCRIPTION】

This is a 180° revolving and height-adjustable basket, which is suitable for 800 mm wide cabinets. It can make the most of the corner of your cabinet.

## DESIGN CONCEPT

As one of the most common furniture in people's lives, cabinets are used in the kitchen of almost every home. We are used to storing some kitchen supplies in the cabinet. However, when people use large cabinets, it is usually not easy and inconvenient to get the things from the inside of the cabinets, especially for people with short arms. Thus, this rotatable basket is designed to solve the troubling problem above.

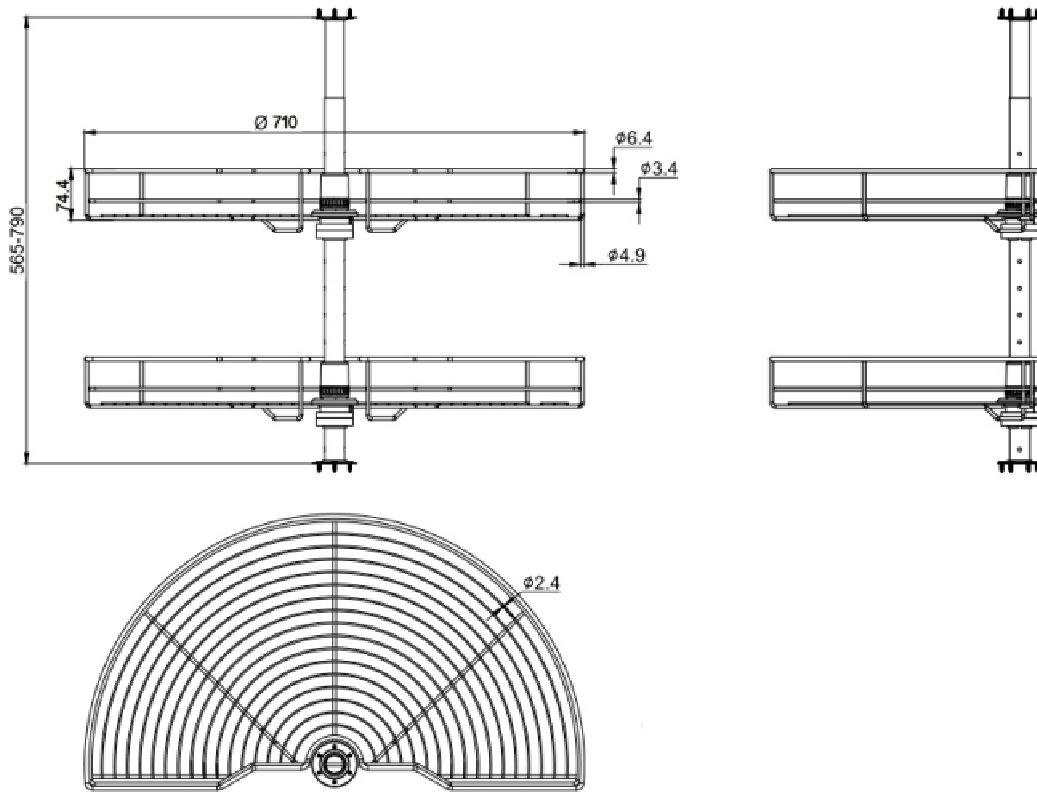


## PRODUCT FEATURES

- :: 180° revolving cabinet basket with double-layer design; suitable for 800 mm wide cabinets, height adjustable.
- :: Multi-layer plating: smooth and shiny surface with strong rust and oxidation resistance.
- :: Laser welding: exquisite craftsmanship, burr-free surface, smooth and solid welding joints, well-matched wires.
- :: 710 mm in diameters, suitable for cabinets with a width of 800 mm. The height of the basket can be adjusted from 565 to 790 mm according to the cabinet.
- :: Suitable for corner cabinets. It can make the most of the space of the cabinet.



# PRODUCT SPECIFICATION



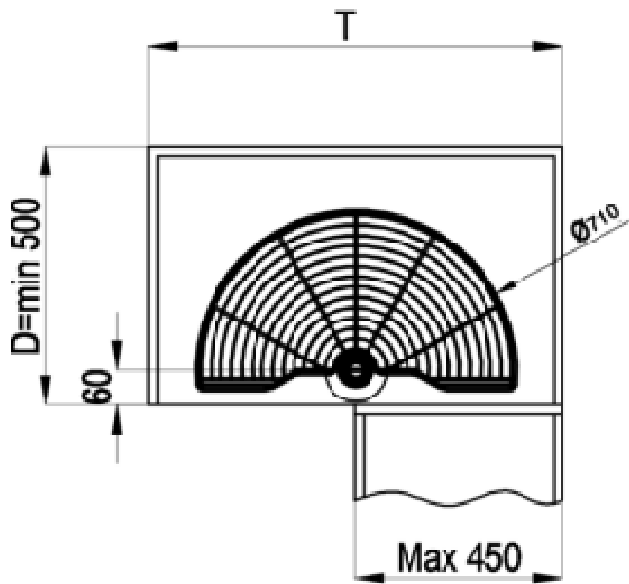
SKU	Product Name	Product Size (mm)	Cabinet Width (mm)	Material/ Surface Treatment	Net Weight (kg)
22.20.80100200	180° Revolving Basket	710*350*(565-790)	800	Steel/Electroplating	3.3

## NOTES FOR ORDERING

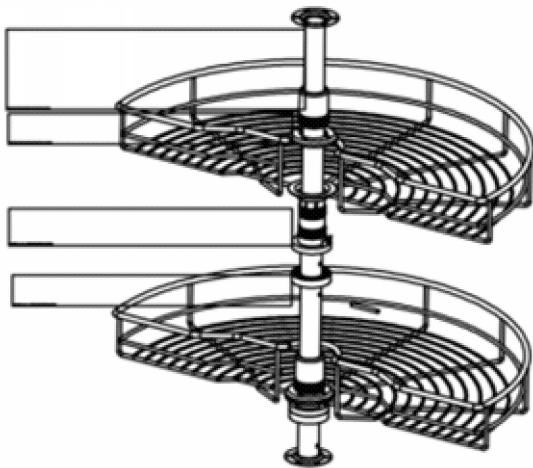
- :: This product is made of chrome-plated steel. Please specify if a stainless steel basket is preferred.
- :: This product fits 800 mm wide cabinets.



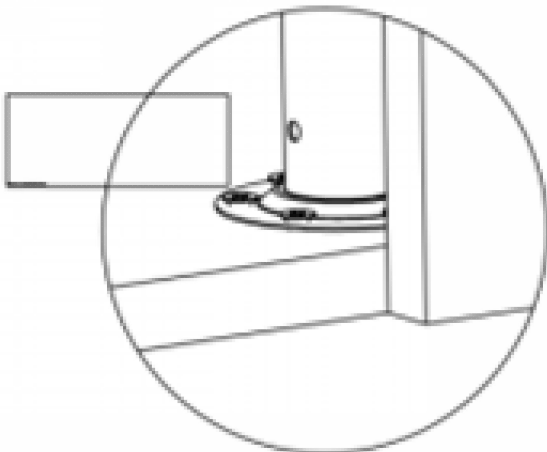
# INSTALLATION GUIDE



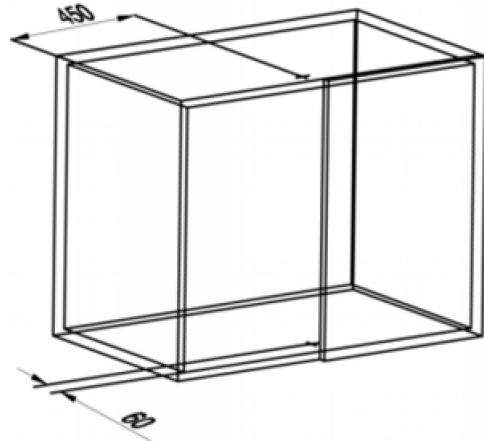
Step 2: Assemble the basket onto the tube. Please pay attention to the order of the plastic parts.



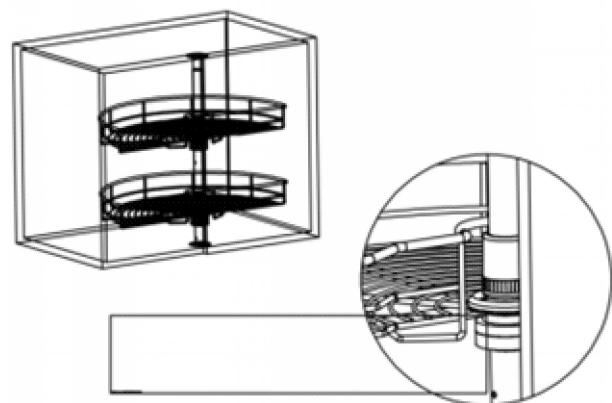
Step 4: Fix the top and bottom of the tube to base with eight ST3.5\*16 screws.



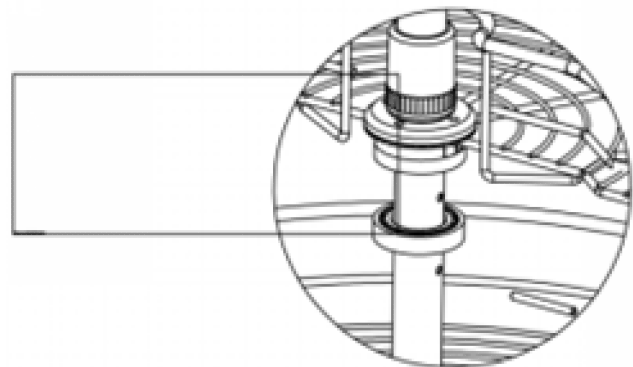
Step 1: Draw two auxiliary circles on the top and bottom plates as shown.



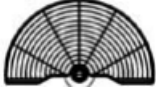
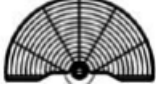








Step 3: Place the basket in the cabinet based on the auxiliary center point and adjust the angle of the basket.



Step 5: Adjust the height of the basket to a proper position with the bolt and tighten the plastic parts.



# PACKLING LIST

No.	Parts Name	Picture	Quantity
1	Upper Basket		1
2	Bottom Basket		1
3	Upper Tube		1
4	Bottom Tube		1
5	Plastic Part #1		2
6	Plastic Part #2		2
7	Plastic Part #3		2
8	Plastic Parts #4		2
9	Bolt		2
10	ST3.5*16 Self-tapping Screws		10



# SHIPPING INFORMATION

SKU	Sets/CTN	Net Weight/CTN (kg)	Gross Weight/CTN (kg)	Package Size (mm)	Sets/ 20 GP	Sets/ 40 GP	Sets/ 40 HQ
22.20.80100200	1	3.3	4.0	715*195*400	450	970	1150

The above container load quantity is the reference value.



Venace Intelligent Technology  
<http://www.venace.com>