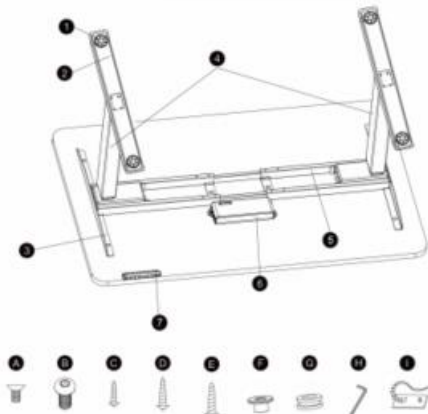


## [INSTALLATION GUIDE]

### PARTS AND HARDWARE LIST

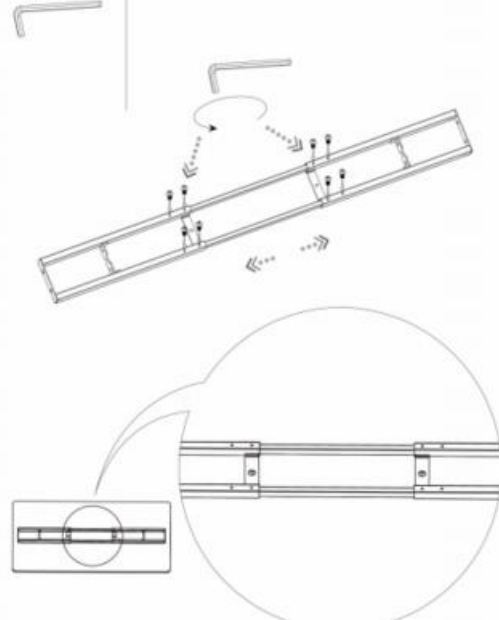
| NO | Component Name | Qty | NO | Component Name | Qty |
|----|----------------|-----|----|----------------|-----|
| 1  | Foot Pad       | 4   | A  | M6x12 Screw    | 12  |
| 2  | Foot Margin    | 2   | B  | M6x14 Screw    | 8   |
| 3  | Bracket        | 2   | C  | ST3.5x19 Screw | 2   |
| 4  | Legs           | 2   | D  | ST4.8x19 Screw | 2   |
| 5  | Support Beam   | 1   | E  | ST4.8x25 Screw | 6   |
| 6  | Control Box    | 1   | F  | Plastic Pad    | 6   |
| 7  | Key Pad        | 1   | G  | Rubber Cushion | 6   |
|    |                |     | H  | 4mm Hex Key    | 1   |
|    |                |     | I  | Cable Tie      | 5   |



**1**

Loosen 8 pcs M6x10 screws, they were attached before packing. Adjust the beam to proper position and then tighten the 8 pcs screws.

4mm Hex Key



**2**

Attach the legs to beam and mount them with 8 pcs M6x12 screws.

4mm Hex Key



M6x12 Screw 8 pcs



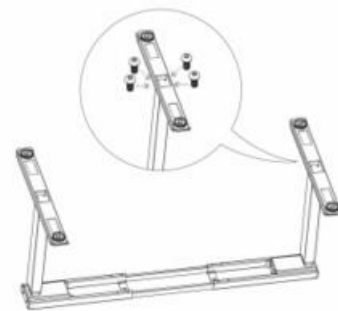
**3**

Attach the foot margins to each leg, mount them with 8 pcs M6x14 screws and tighten with 4mm hex key.

4mm Hex Key



M6x14 Screws 8 pcs



**4**

Attach brackets to the beam with 4 pcs M6x12 screws.

4mm Hex Key



M6x12 Screw 4 pcs

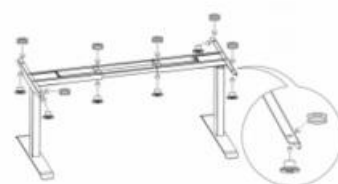


**5**

Put rubber cushions and plastic pads on the side brackets and the beam.

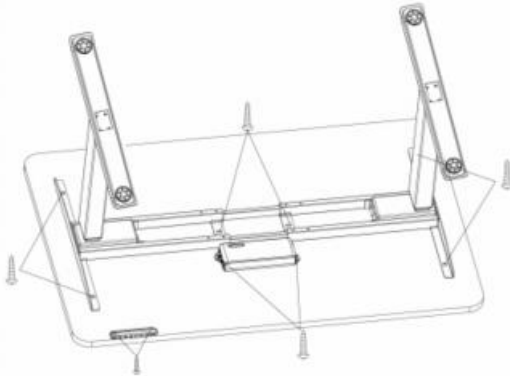
Plastic Pad

Rubber Cushion



**6**

Attach the brackets and the beam to the table top with 6 pcs ST4.8x25 screws. Attach the control box with 2 pcs ST4.8x19 screws. Attach the keypad to the table top with 2 pcs ST3.5x19 screws.



**7**

Plug cables from two motors and keypad to the control box.

