

[INSTALLATION GUIDE]

Parts and Tools list					
NO.	Name	Qty	NO.	Name	Qty
1	Support Beam2	1	11	M6*8 Screw	2
2	Foot Pad	6	12	Rubber Cushion	10
3	Foot Margin	3	13	S13.5*19 Screw	2
4	M6*14 Screw	24	14	S14.8*19 Screw	12
5	Bracket	3			
6	Lifting System	1set			
7	Support Beam1	1			
8	M6*10 Screw	16			
9	4mm Hex Spanner	1			
10	M6*12 Screw	12			

1 Loosen the 4 screws of beam1 using 4MM hex spanner, adjust the beam to proper position to fit the desktop

4mm Hex Spanner

M6 Threaded Hole

2 Attach legs to the beam1 using 8 of M6*14 screws and 4 of M6*12 screws

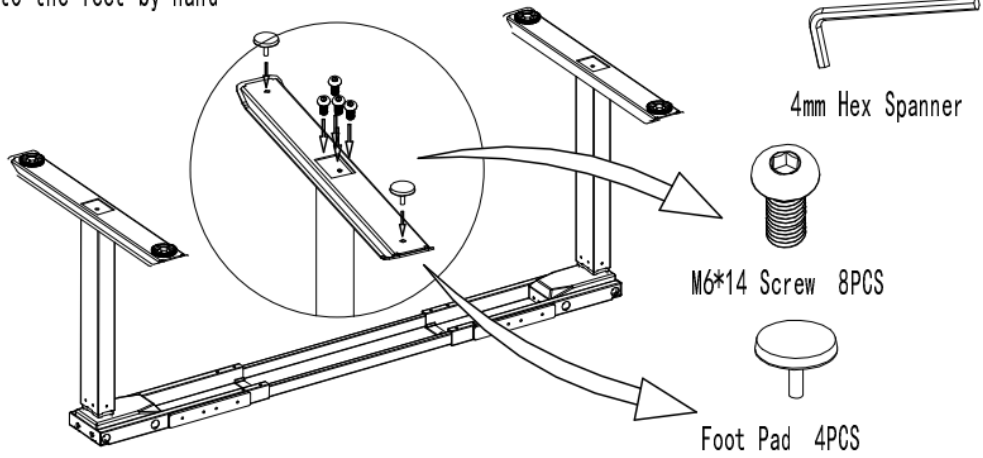
M6*14 screw 8PCS

4mm Hex Spanner

M6*12 screw 4PCS

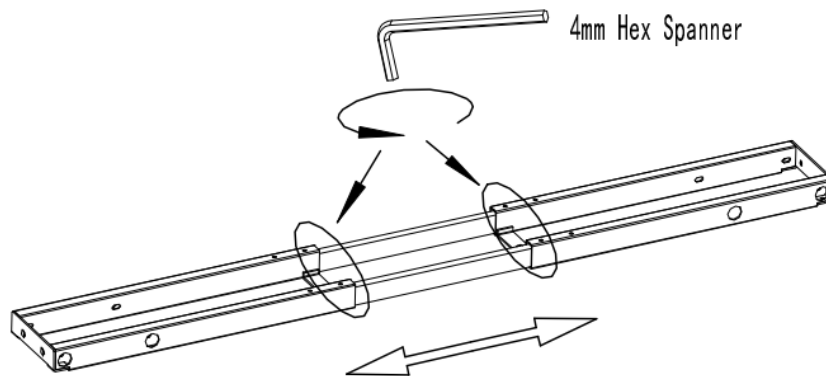
3

Attach feet to the legs using 8 of M6*14 screws, attach the 4 of levelling foot pads to the feet by hand



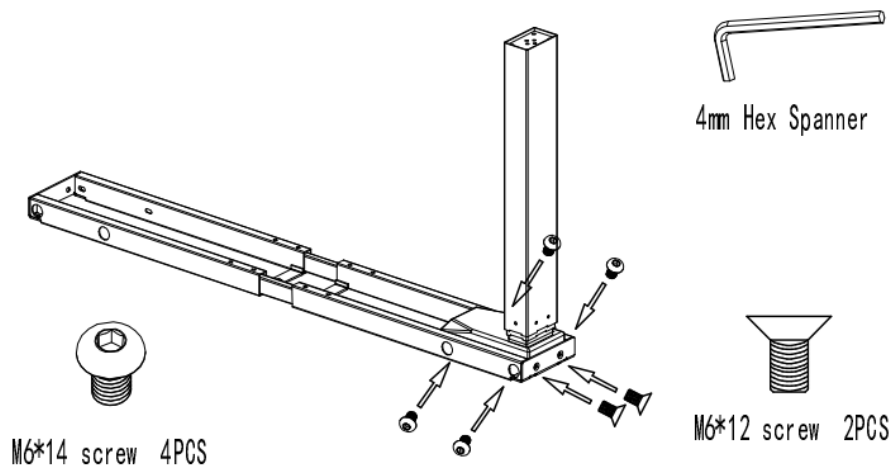
4

Loosen the 4 screws of beam2 using 4MM hex spanner, adjust the beam to proper position to fit the desktop



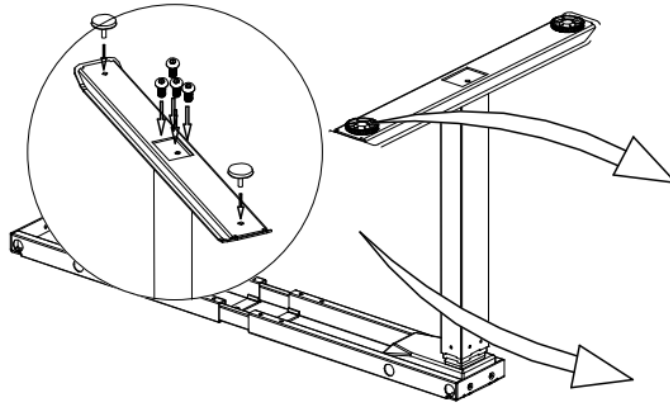
5

Attach legs to the beam2 using 4 of M6*14 screws and 2 of M6*12 screws



6

Attach feet to the legs using 4 of M6*14 screws, attach the 2 of levelling foot pads to the feet by hand



4mm Hex Spanner



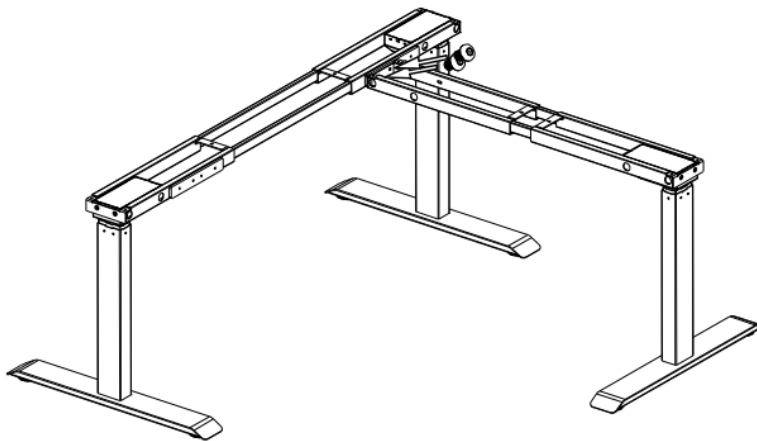
M6*14 Screw 4PCS



Foot Pad 2PCS

7

Attach the beam2 to the beam1 using 2 of M6*8 screws



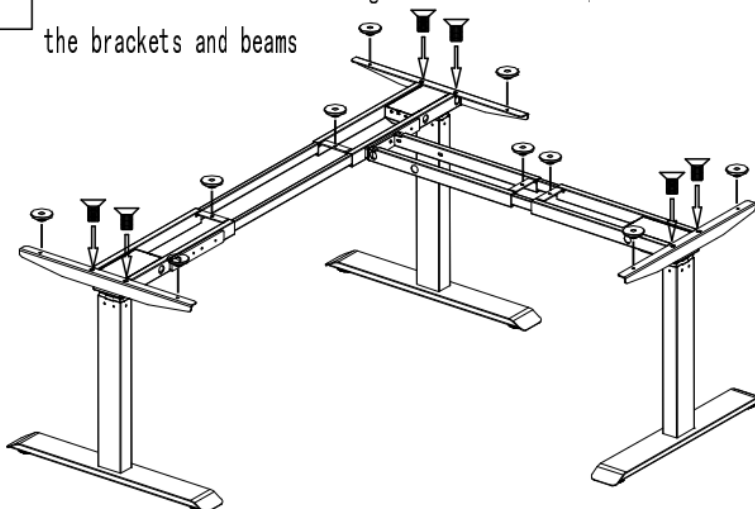
4mm Hex Spanner



M6*8 screw 2PCS

8

Attach brackets to beam using 6 of M6*12 screws, and then fit the rubber cushions to the brackets and beams



4mm Hex Spanner



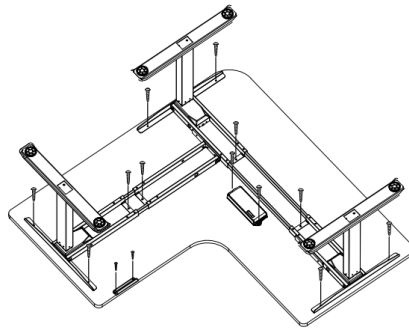
Rubber Cushion 10PCS



M6*12 screw 6PCS

9

Attach the frame and the control box to the underside of the desktop using 12 of ST4.8 self-tapping screws, attach handset to the underside of desktop using 2 of ST3.5 self-tapping screw



10

Connect the control box to the handset and to the motor

