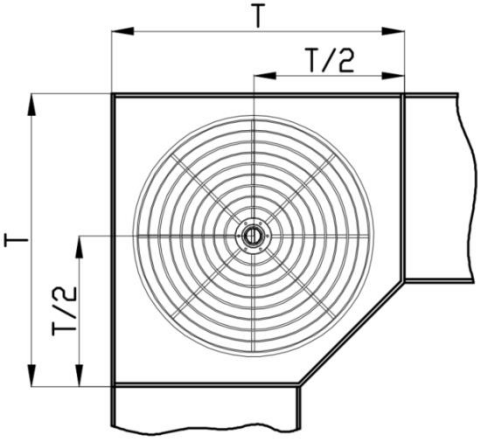
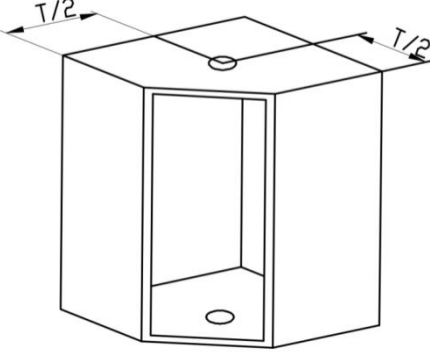
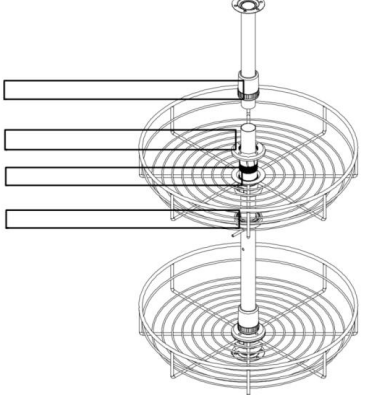
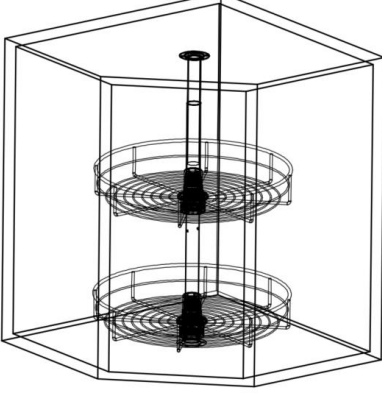
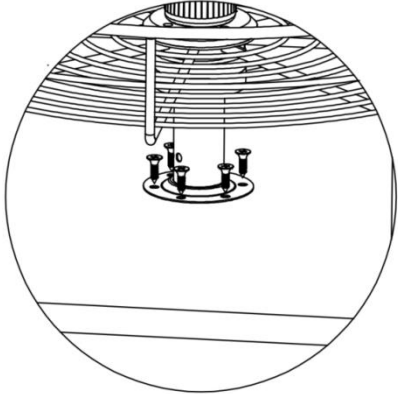


## 【INSTALLATION GUIDE】

	<p>Step 1: Draw two auxiliary circles on the top and bottom plates as shown.</p> 
<p>Step 2: Assemble the basket onto the tube. Please pay attention to the order of the plastic parts.</p> 	<p>Step 3: Place the basket in the cabinet based on the auxiliary center point and adjust the angle of the basket.</p> 
<p>Step 4: Fix the top and bottom of the tube base with ten ST3.5*16 screws.</p> 	<p>Step 5: Adjust the height of the basket to a proper position with the bolt and tighten the plastic parts.</p> 